

# MACH SERIES

## MACH multiplate couplings

### INTRODUCTION

Holmbury's MACH Series multiplate couplings are a proven range of Mach connectors with a choice of ISO A poppet or flat couplings.

The Mach reference number, 2, 4 and 7, refers to the number of hydraulic hoses that are connected simultaneously. Mach 4 and 7 connectors can also incorporate a 6 contact electrical connector rated at 25V - 60V and up to 10A.

Female couplings are housed in the box, male couplings are mounted in the plug.

### CONSTRUCTION

- Body: Carbon steel plate box and plug on sizes 2 & 4, cast carbon steel body on size 7
- Couplings: Carbon steel construction with trivalent plating and Nitrile seals fitted

### FEATURES

- Fast, easy connection of multiple hoses
- Connection is possible with residual pressures in the hydraulic circuit
- Prevents operators making incorrect hose connection
- Compact design and sturdy construction
- Female couplings are protected from dust and damage within a strong box equipped with a self-closing cover



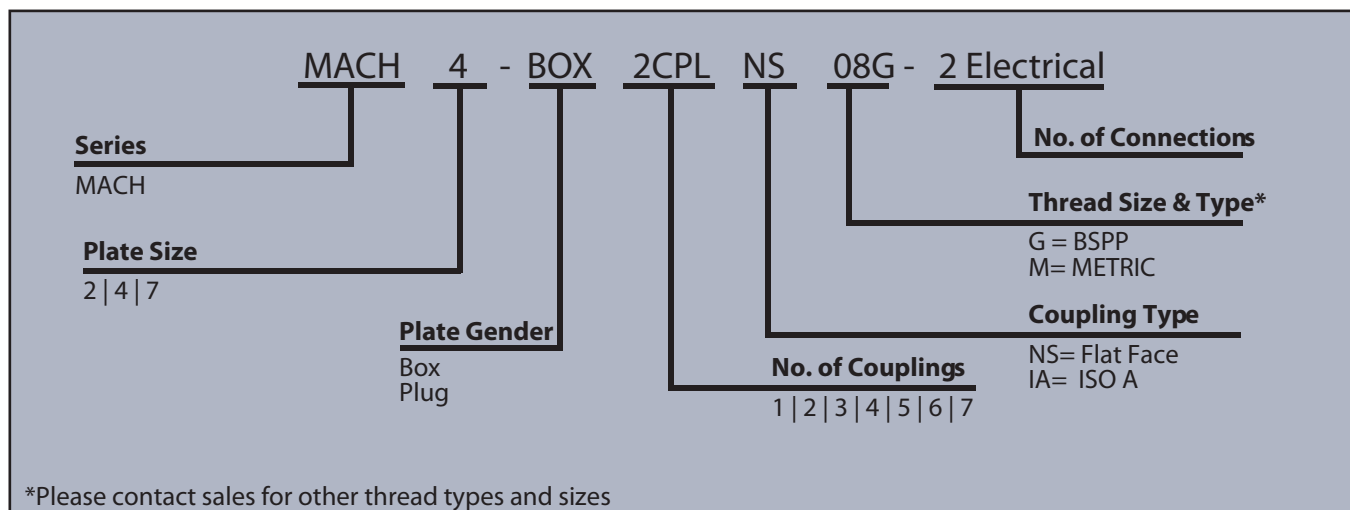
### SPECIFICATIONS

- Operating temperatures (with Nitrile seals): -40°C (-40°F) to 106°C (223°F)

### APPLICATIONS

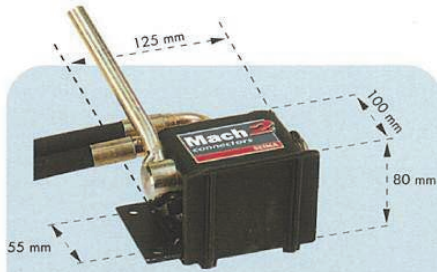
- Tractors, combine harvesters, front loaders, snowploughs, mini excavators, cranes and general industrial machinery

### ORDER CODES

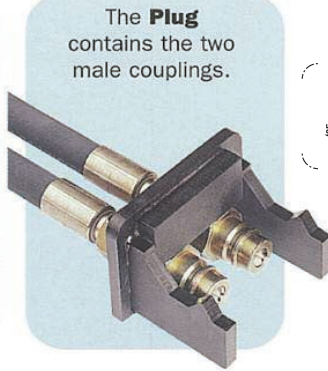


## DRAWINGS AND DIMENSIONS

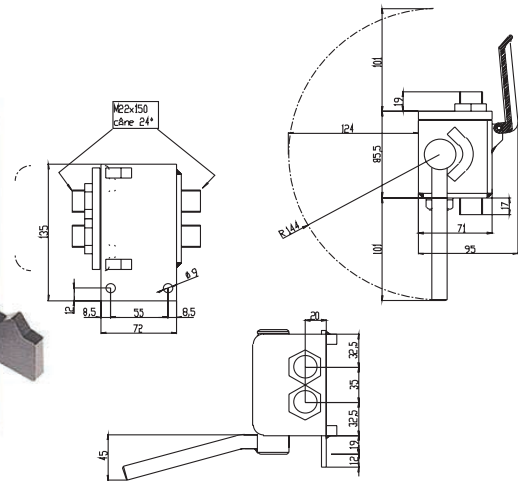
### MACH 2 CONNECTOR



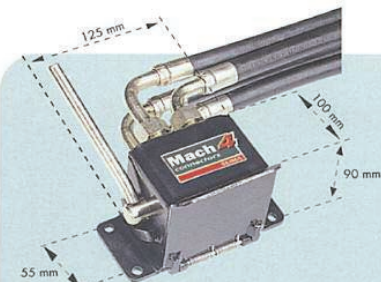
The **Box** contains the locking lever and two female couplings.



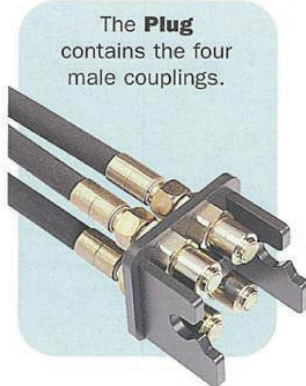
The **Plug** contains the two male couplings.



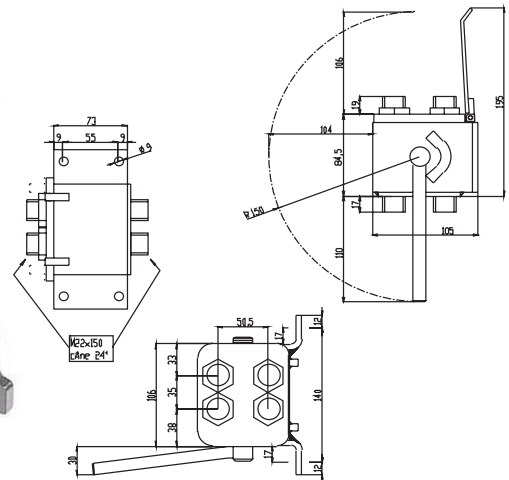
### MACH 4 CONNECTOR



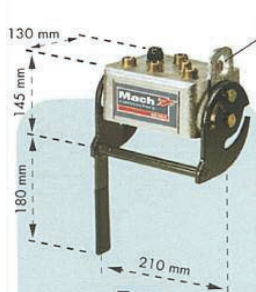
The **Box** contains the locking lever and four female couplings.



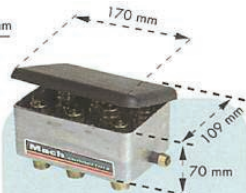
The **Plug** contains the four male couplings.



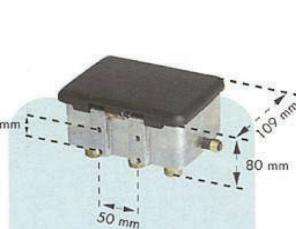
### MACH 7 CONNECTOR



**Box Upper part**  
hold the female couplings and the locking system.



**Plug Lower part**  
hold the male couplings protected by an automatically closing tap.



**Fixing the Plug :**  
use 4 screws M8 x 1,25 mm

