

BVS 2 SERIES

Stainless steel two way high pressure ball valves

INTRODUCTION

Holmbury's BVS 2 Series two way stainless steel, high pressure ball valves are designed to suit a wide range of applications. These valves should not be used as flow control valves and should therefore always be fully open or closed.

CONSTRUCTION

- AISI 316 stainless steel
- Fitted with Viton seals
- Also available in carbon steel (See BVC 2 Series)
- Metric and flanged available on request

FEATURES

- Floating ball design maximises sealing
- Full bore valves provide unrestricted flow path for negligible pressure drop
- Open to close in 1/4 turn
- Cranked handle allows clearance for easy operation

ACCESSORIES

- Valve Locking Kits and Valve Handles are available for the BVS 2 Series



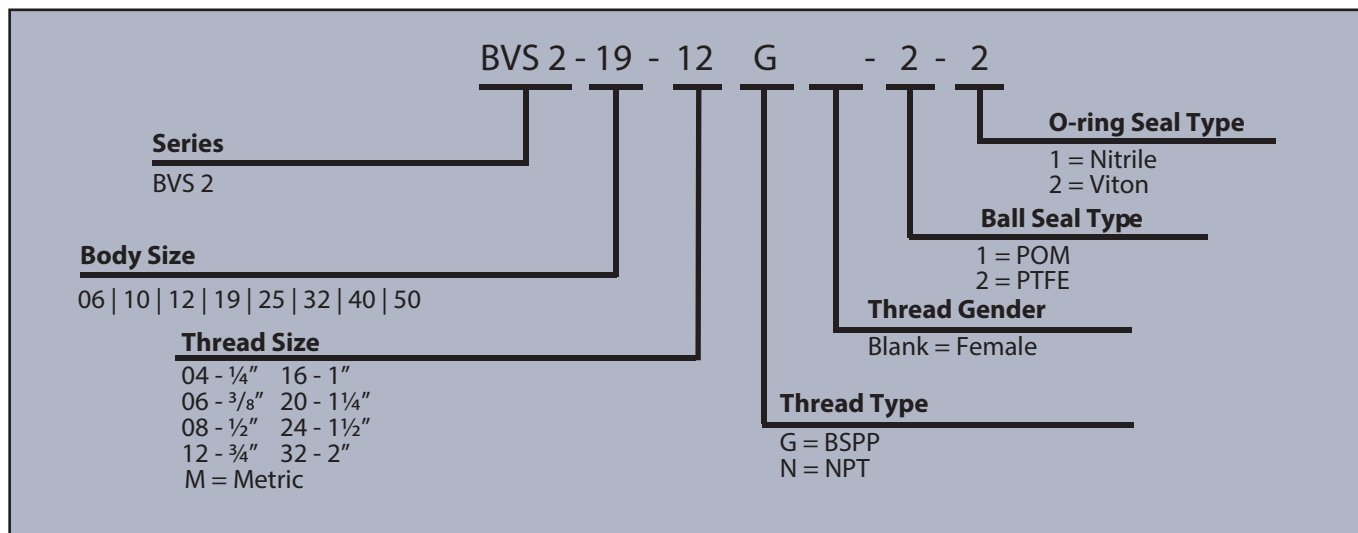
SPECIFICATIONS

- Operating temperatures (With Viton seals): -20°C (-4°F) to 200°C (392°F)

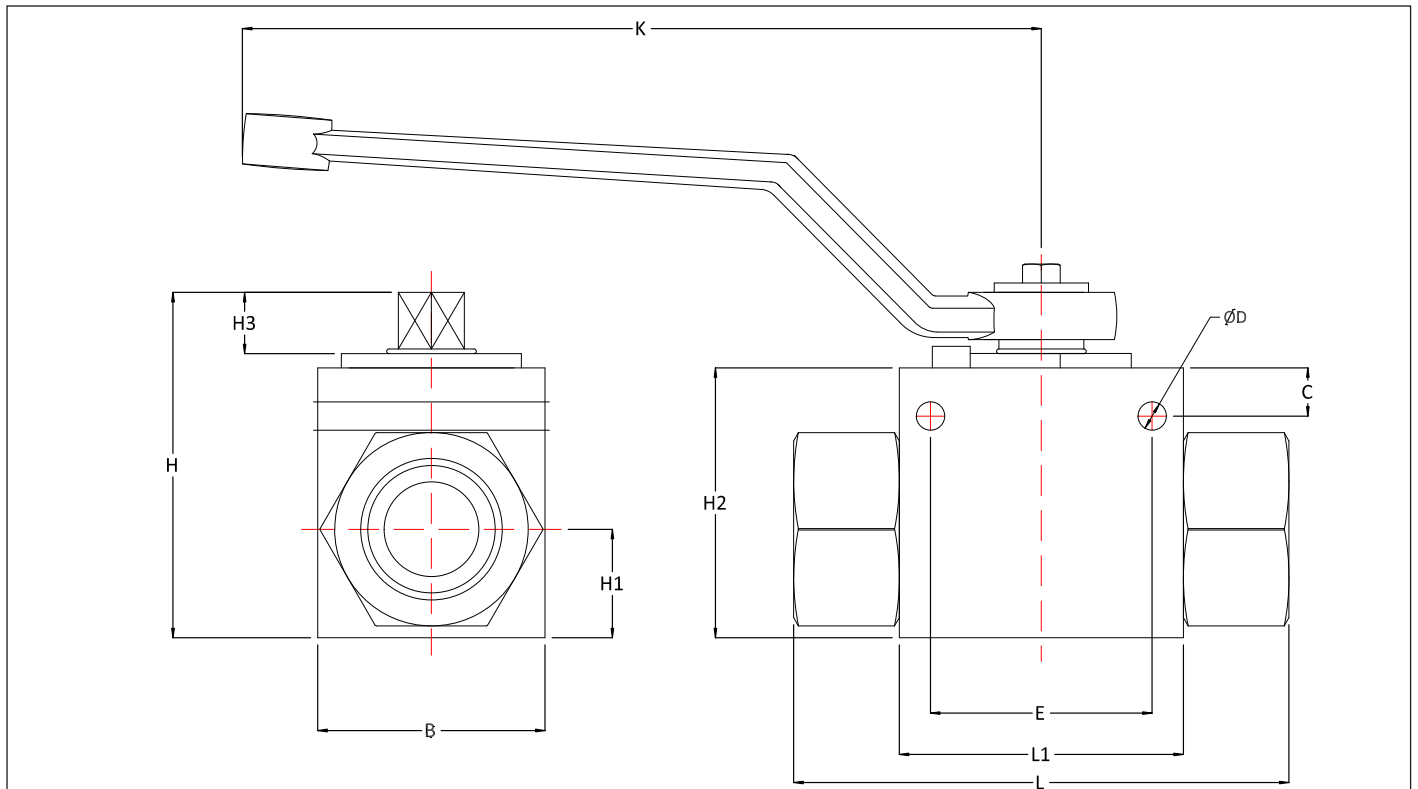
APPLICATIONS

- Designed for usage in marine, oil & gas, nuclear, pharmaceutical, power generation and offshore industries

ORDER CODES



DRAWING



DIMENSIONS

Size	Thread Size (A)	B	C	ØD	E	G	H	H1	H2	H3	L	L1	Maximum Working Pressure	Burst Pressure	
															Dimensions in mm
														Psi	
BVS2 06	1/4"	28.2	5	4.5	26.2	107	44.3	12.7	32.3	8.5	69	36.8	500	2000	
		1.1	0.2	0.2	1.0	4.2	1.7	0.5	1.3	0.3	2.7	1.4	7250	29000	
BVS2 10	3/8"	32.2	5	6.7	32.5	107	52	17	40.2	8.5	72	42.2	500	2000	
		1.3	0.2	0.3	1.3	4.2	2.0	0.7	1.6	0.3	2.8	1.7	7250	29000	
BVS2 12	1/2"	35.2	5.2	6.4	37.7	107	52	18	40.2	8.5	83.3	48	500	2000	
		1.4	0.2	0.3	1.5	4.2	2.0	0.7	1.6	0.3	3.3	1.9	7250	29000	
BVS2 19	3/4"	48.2	6.8	7	45	170	74.7	25	57.1	14	95	60	315	1260	
		1.9	0.3	0.3	1.8	6.7	2.9	1.0	2.2	0.6	3.7	2.4	4568	18270	
BVS2 25	1"	57.1	6	6.8	54.5	170	81.8	29	64.8	14	112.8	65	315	1260	
		2.2	0.2	0.3	2.1	6.7	3.2	1.1	2.6	0.6	4.4	2.6	4568	18270	
BVS2 32	1 1/4"	75.2	9.2	10.7	67.5	234	103.6	37.7	84	16	110	84	315	1260	
		3.0	0.4	0.4	2.7	9.2	4.1	1.5	3.3	0.6	4.3	3.3	4568	18270	
BVS2 40	1 1/2"	85.2	-	-	-	234	115.2	42.5	95.3	16	129.7	91	315	1260	
		3.4	-	-	-	9.2	4.5	1.7	3.8	0.6	5.1	3.6	4568	18270	
BVS2 50	2"	105	-	-	-	234	132.7	52.5	112.5	16	140.3	100	315	1260	
		4.1	-	-	-	9.2	5.2	2.1	4.4	0.6	5.5	3.9	4568	18270	

PSI= Bar x14.5 Inches= mm/25.4

