

BVS 3 SERIES

Stainless steel three way high pressure ball valves

INTRODUCTION

Holmbury's BVS 3 Series three way stainless steel high pressure ball valves are designed to suit a wide range of applications. These valves should not be used as flow control valves and should therefore always be fully open or closed.

CONSTRUCTION

- AISI 316 stainless steel
- Fitted with Viton seals
- Also available in carbon steel (See BVC 3 Series)
- Metric and flanged available on request

FEATURES

- Available in 'L' or 'T' port configurations
- One piece body design provides additional strength
- Full bore valves provide unrestricted flow path for negligible pressure drop
- 90 degree operation
- Cranked handle allows clearance for easy operation

ACCESSORIES

- Valve Locking Kits and Valve Handles are available for the BVS 3 Series

ORDER CODES

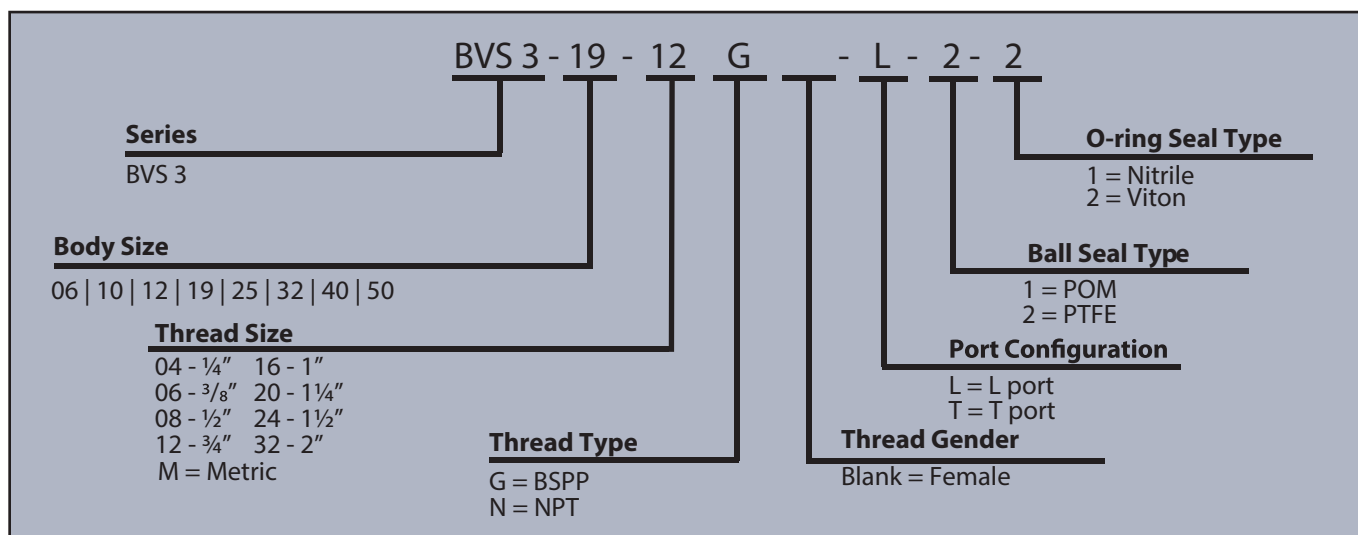


SPECIFICATIONS

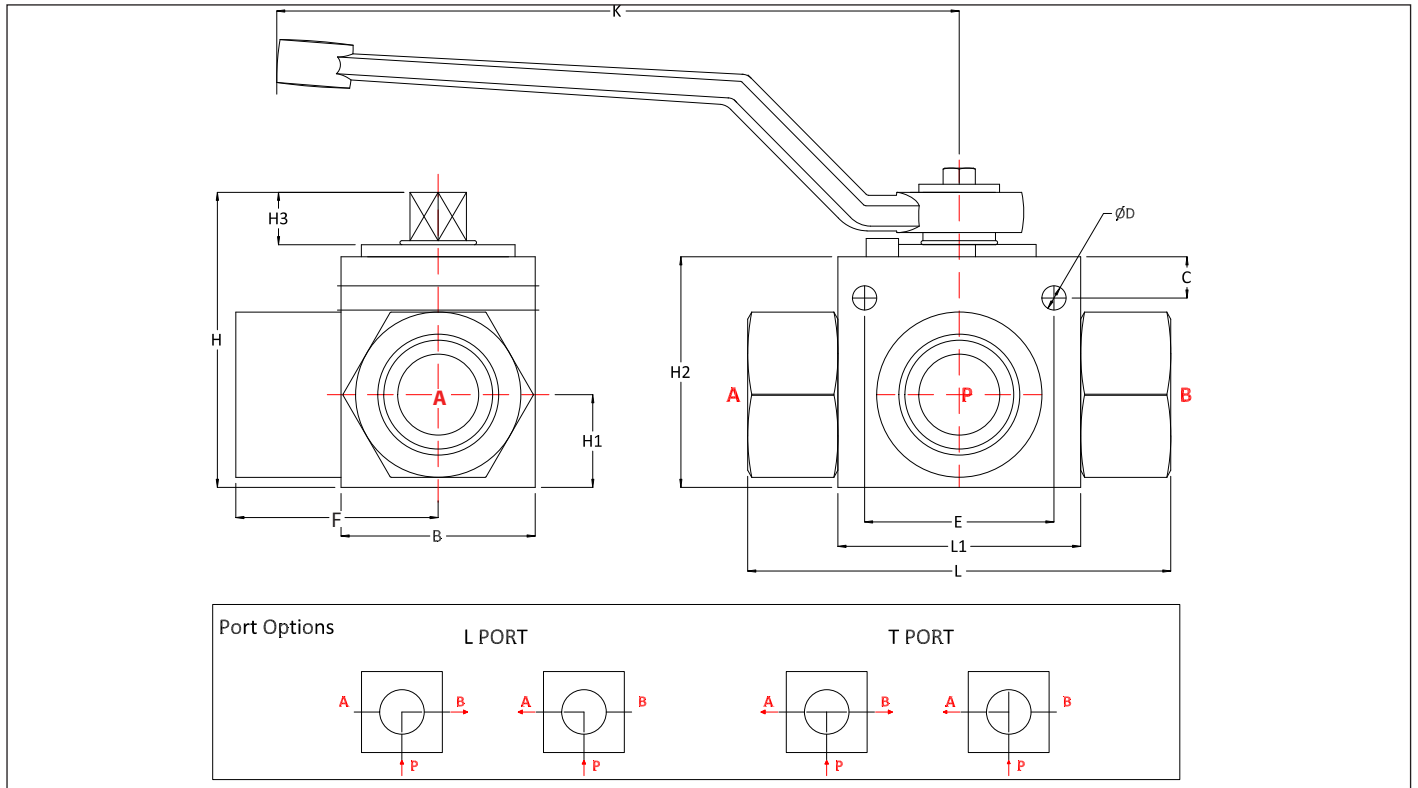
- Operating temperatures (With Viton seals): -20°C (-4°F) to 200°C (392°F)

APPLICATIONS

- Designed for usage in marine, oil & gas, nuclear, pharmaceutical, power generation and offshore industries



DRAWING



DIMENSIONS

Size	Thread Size (A)	Dimensions in mm											Bar		
		B	C	ØD	E	F	G	H	H1	H2	H3	L	L1	Maximum Working Pressure	Burst Pressure
		Dimensions in Inches											Psi		
BVS3 06	1/4"	28.3	5.3	4.6	25.9	35.3	107	44.3	13.5	32.5	8.5	68.7	37	315	1260
		1.1	0.2	0.2	1.0	1.4	4.2	1.7	0.5	1.3	0.3	2.7	1.5	4568	18270
BVS3 10	3/8"	32.1	5	6.3	32	37.3	107	52.2	17.3	40.3	8.5	72	42	315	1260
		1.3	0.2	0.2	1.3	1.5	4.2	2.1	0.7	1.6	0.3	2.8	1.7	4568	18270
BVS3 12	1/2"	35.2	5.6	6.5	37.5	41	107	52.6	18.3	40.5	8.5	83	48	315	1260
		1.4	0.2	0.3	1.5	1.6	4.2	2.1	0.7	1.6	0.3	3.3	1.9	4568	18270
BVS3 19	3/4"	48.5	6.3	6.5	45	50	170	74.7	24.7	57.2	14	95.2	60	315	1260
		1.9	0.2	0.3	1.8	2.0	6.7	2.9	1.0	2.3	0.6	3.7	2.4	4568	18270
BVS3 25	1"	56.7	5.8	6.8	56	58	170	81.6	28.5	64	14	112.8	64.9	315	1260
		2.2	0.2	0.3	2.2	2.3	6.7	3.2	1.1	2.5	0.6	4.4	2.6	4568	18270
BVS3 32	1 1/4"	75	8.3	10.8	66	56	234	103.5	38.5	83.9	16	110	84	315	1260
		3.0	0.3	0.4	2.6	2.2	9.2	4.1	1.5	3.3	0.6	4.3	3.3	4568	18270
BVS3 40	1 1/2"	85.2	---	---	---	66	234	115.2	42	95.2	16	129	91.2	315	1260
		3.4	---	---	---	2.6	9.2	4.5	1.7	3.7	0.6	5.1	3.6	4568	18270
BVS3 50	2"	105	---	---	---	70	234	133	52.5	112.5	16	140	100	315	1260
		4.1	---	---	---	2.8	9.2	5.2	2.1	4.4	0.6	5.5	3.9	4568	18270

PSI= Bar x14.5 Inches= mm/25.4

