

HS SERIES

General purpose screw connect poppet couplings made to the ISO 14541 Standard

INTRODUCTION

Holmbury's HS Series screw connect couplings are designed primarily for high pressure pulse applications. They can be connected under residual system pressures of up to 50 bar. The HS Series is a cost effective, proven solution suited to many industries and applications.

CONSTRUCTION

- Carbon steel with trivalent plating
- Fitted with Nitrile seals
- Also available in AISI 316 stainless steel (See SHS Series)

FEATURES

- Screw connect design eliminates brinelling
- Modular construction enables numerous thread and connection options
- Can be connected with up to 50 bar residual pressure in the hydraulic circuit
- Bidirectional flow

SPECIFICATIONS

- Operating temperatures (With Nitrile seals): -40°C (-40°F) to 106°C (223°F)

APPLICATIONS

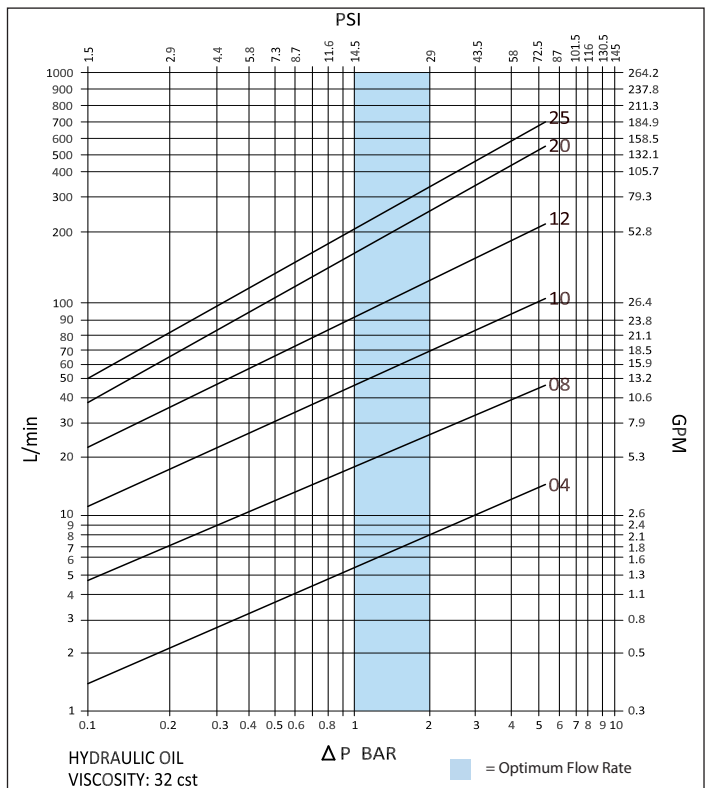
- Hammer circuits
- High pressure pulse applications
- Construction plant, mobile equipment, demolition and agricultural industries

ACCESSORIES

- Dust Caps and Plugs are available for the HS Series

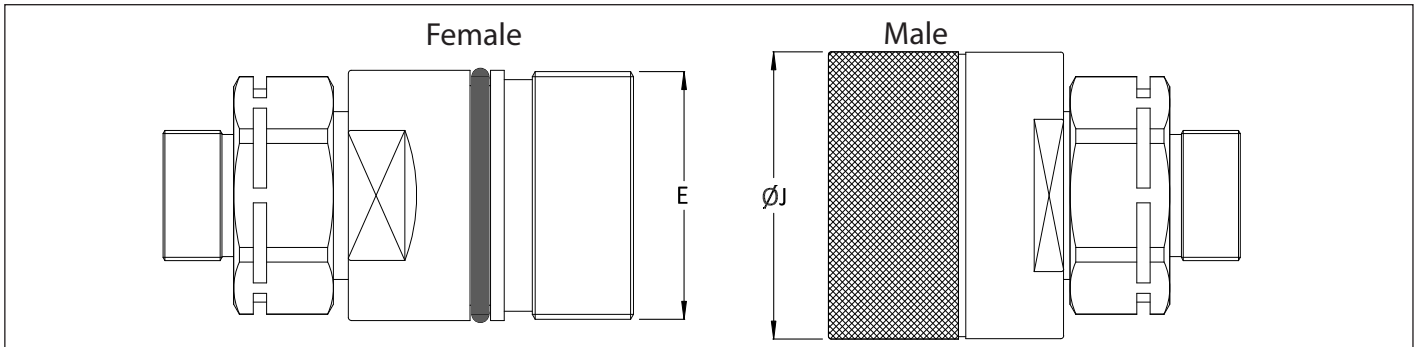


PRESSURE DROP CHARACTERISTICS

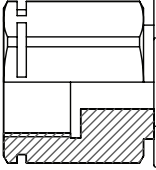
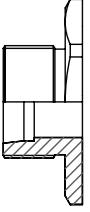
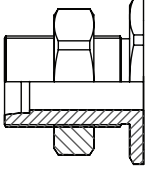


DRAWING

PRESSURE DROP CHARACTERISTICS



DIMENSIONS AND ORDER CODES

Thread Type	Body Size (A)	Front End Thread Connection (ØE)	ØJ	Maximum Working Pressure	Burst Pressure (Coupled)	Burst Pressure (Male)	Burst Pressure (Female)	Order Codes	
			mm						Bar
			Inches						Psi
 <p>Female thread DIN 3852</p>	04	M24 x 2	35.0	450	1800	1400	1400	<p>HS XX X X XXX</p> <p>Series Body Gender Thread Thread</p> <p>Size Size Size Type</p> <p>1 = Female 2 = Male</p> <p>IGF = BSP INF = NPT</p> <p>**Pipe & thread sizes available are dependant on body size selected please contact us or visit our website for available options**</p>	
			1.4	6525	26100	20300	20300		
	08	M28 x 2	34.0	450	1600	1550	1750		
			1.3	6525	23200	22475	25375		
	10	M36 x 2	42.1	400	1400	1200	1200		
			1.7	5800	20300	17400	17400		
	12	M42 x 2	48.5	400	1500	1200	1600		
			1.9	5800	21750	17400	23200		
	20	M48 x 3	55.0	300	1180	1100	1500		
			2.2	4350	17110	15950	21750		
	25	M70 x 3	85.0	300	1800	1200	1600		
			3.3	4350	26100	17400	23200		
 <p>Male stud with type W bore (24") DIN 3861</p>	04	M24 x 2	35.0	450	1800	1400	1400	<p>HS XX X X XX XX</p> <p>Series Body Gender Pipe Pipe Thread</p> <p>Size Size Diameter Size</p> <p>1 = Female L = Light Pipe 2 = Male S = Heavy Pipe</p> <p>**Pipe & thread sizes available are dependant on body size selected please contact us or visit our website for available options**</p>	
			1.4	6525	26100	20300	20300		
	08	M28 x 2	34.0	450	1600	1550	1750		
			1.3	6525	23200	22475	25375		
	10	M36 x 2	42.1	400	1400	1200	1200		
			1.7	5800	20300	17400	17400		
	12	M42 x 2	48.5	400	1500	1200	1600		
			1.9	5800	21750	17400	23200		
	20	M48 x 3	55.0	300	1180	1100	1500		
			2.2	4350	17110	15950	21750		
	25	M70 x 3	85.0	300	1800	1200	1600		
			3.3	4350	26100	17400	23200		
 <p>Male stud with type W bore (24") DIN 3861 Bulkhead</p>	04	M24 x 2	35.0	450	1800	1400	1400	<p>HS XX X X XX XX</p> <p>Series Body Gender Pipe Pipe Thread</p> <p>Size Size Diameter Size</p> <p>1 = Female N = Light Pipe 2 = Male T = Heavy Pipe</p> <p>**Pipe & thread sizes available are dependant on body size selected please contact us or visit our website for available options**</p>	
			1.4	6525	26100	20300	20300		
	08	M28 x 2	34.0	450	1600	1550	1750		
			1.3	6525	23200	22475	25375		
	10	M36 x 2	42.1	400	1400	1200	1200		
			1.7	5800	20300	17400	17400		
	12	M42 x 2	48.5	400	1500	1200	1600		
			1.9	5800	21750	17400	23200		
	20	M48 x 3	55.0	300	1180	1100	1500		
			2.2	4350	17110	15950	21750		
	25	M70 x 3	85.0	300	1800	1200	1600		
			3.3	4350	26100	17400	23200		

PSI = Bar x 14.5 Inches = mm/25.4

