

VPC SERIES

Hose burst valves

INTRODUCTION

Holmbury's VPC Series hose burst valves allows free flow in both directions under normal working conditions, however, in the situation of a surge flow from 'B' to 'A' due to hose failure the valve immediately stops the flow. The burst flow can be set by increasing or decreasing dimension 'S' to be verified during final testing of machine.

CONSTRUCTION

- Carbon steel with trivalent plating
- Metal to metal sealing

FEATURES

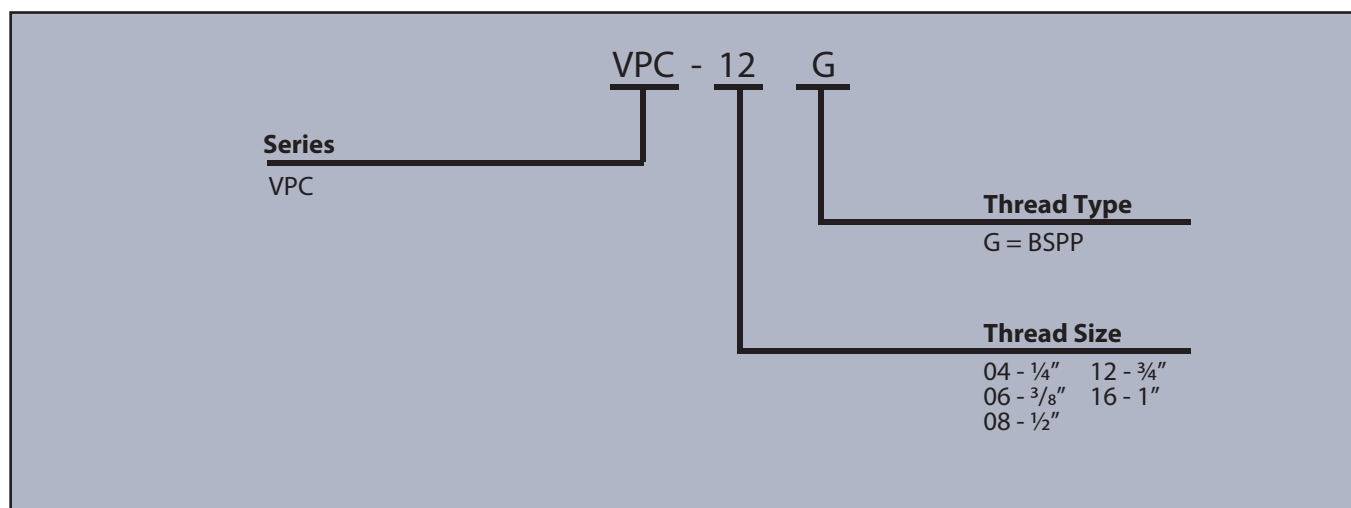
- Can be retrofitted to existing systems
- Male thread designed to be screwed into female threaded port
- Valves need to be manually set to alter the flow at which the valve shuts
- Cartridges are available for the VPC Series
- Bidirectional flow



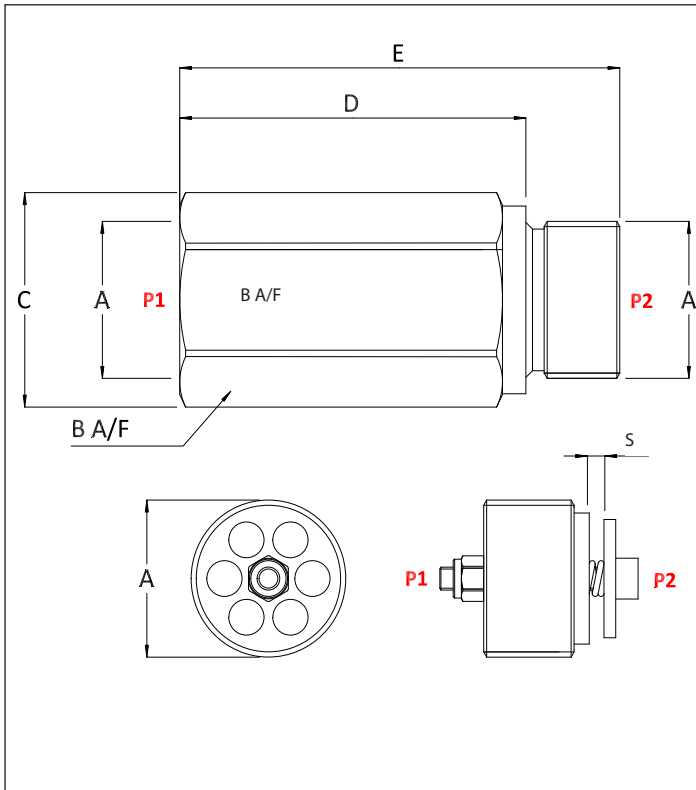
APPLICATIONS

- Lifting equipment

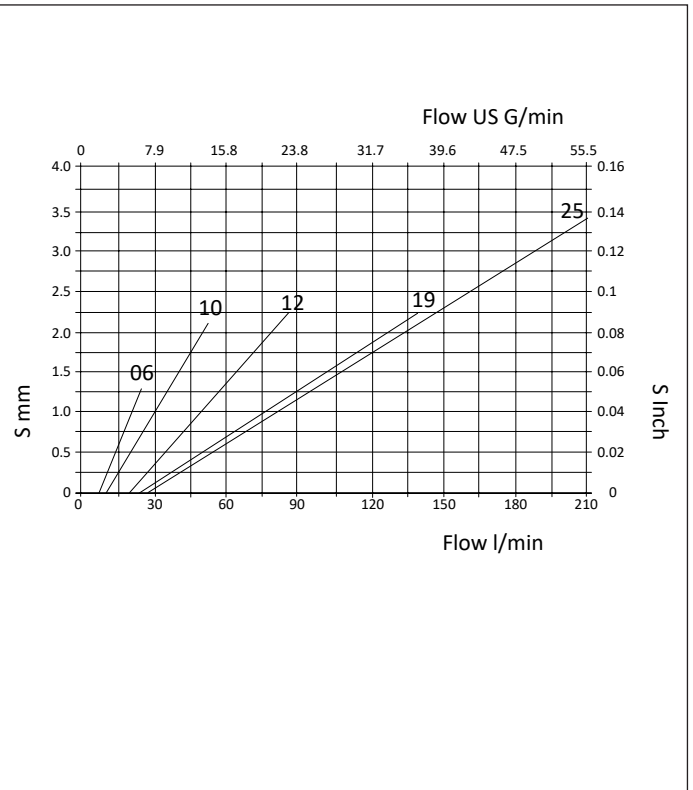
ORDER CODES



DRAWING



REVERSE FLOW ADJUSTMENT



HOSE BURST VALVES

DIMENSIONS

Size	Thread Size (A)	B	ØC	D	E	Maximum Working Pressure	Burst Pressure
		Dimensions in mm				Bar	
		Dimensions in Inches				Psi	
VPC	1/4"	19	21.9	38	50	350	1050
		0.7	0.9	1.5	2.0	5075	15225
VPC	3/8"	22	25	48	60	350	1050
		0.9	1.0	1.9	2.4	5075	15225
VPC	1/2"	27	31	49	63	350	1050
		1.1	1.2	1.9	2.5	5075	15225
VPC	3/4"	32	36	59	75	350	1050
		1.3	1.4	2.3	3.0	5075	15225
VPC	1"	41	46	70	88	350	1050
		1.6	1.8	2.8	3.5	5075	15225

PSI= Bar x14.5 Inches= mm/25.4

