

DIN B SERIES

Ball seal couplings made to the ISO 5675 Standard

INTRODUCTION

Holmbury's DIN B Series ball valve couplings are intended for applications where compatibility with existing equipment is essential. For new applications Holmbury recommends poppet valve couplings as a more durable option.

CONSTRUCTION

- Carbon steel with trivalent plating
- Fitted with Nitrile seals
- Also available in poppet valve design (See DIN V Series)

FEATURES

- Locking ball system allows quick connection
- Bidirectional flow

ACCESSORIES

- Dust Caps, Plugs and Seal Kits are available for the DIN B Series



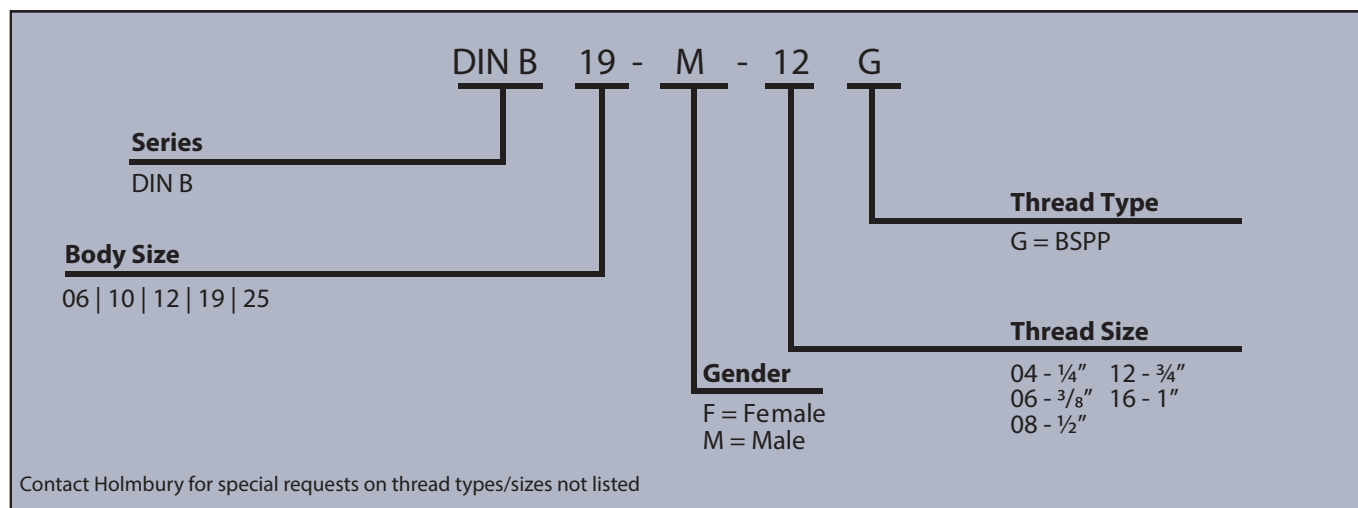
SPECIFICATIONS

- Operating temperatures (with Nitrile seals): -40°C (-40°F) to 106°C (223°F)

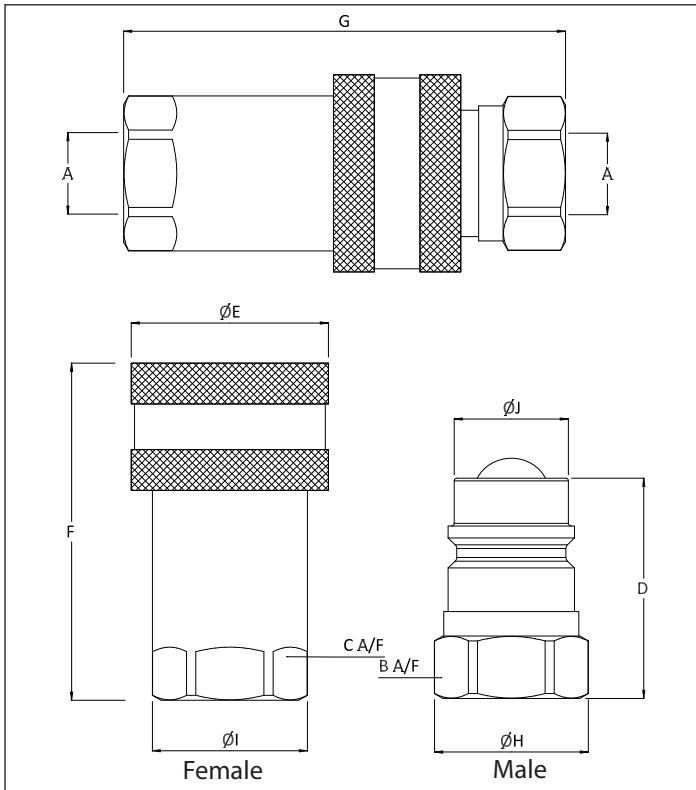
APPLICATIONS

- Existing DIN B applications
- Agricultural
- Mobile
- Construction

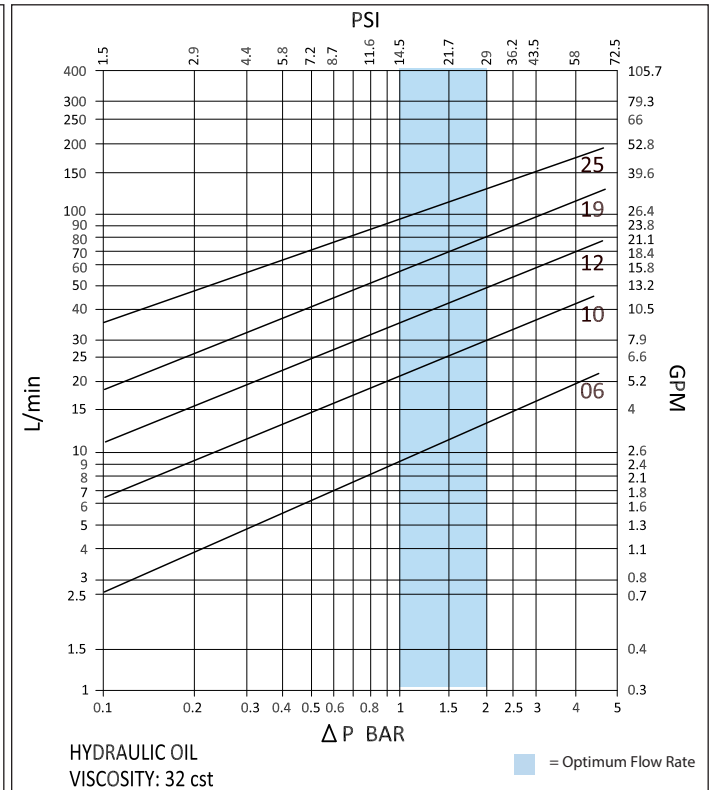
ORDER CODES



DRAWING



PRESSURE DROP CHARACTERISTICS



DIMENSIONS

Size	Thread Size (A)	B	C	D	ϕE	F	G	ϕH	ϕI	ϕJ	Maximum Working Pressure	Burst Pressure (Coupled)	Burst Pressure (Male)	Burst Pressure (Female)
Dimensions in Inches											Psi			
DINB 06	1/4"	19.0	19.0	36.0	27.5	53.5	72.5	21.0	21.8	14.0	350	1550	1550	1550
		0.7	0.7	1.4	1.1	2.1	2.9	0.8	0.9	0.6	5075	22475	22475	22475
DINB 10	3/8"	24.0	24.0	40.0	34.0	63.2	83.0	26.6	27.2	19.0	300	1400	1250	1250
		0.9	0.9	1.6	1.3	2.5	3.3	1.0	1.1	0.7	4350	20300	18125	18125
DINB 12	1/2"	27.0	27.0	43.5	38.5	66.0	88.0	30.0	30.0	20.5	275	1250	1200	1200
		1.1	1.1	1.7	1.5	2.6	3.5	1.2	1.2	0.8	3987.5	18125	17400	17400
DINB 19	3/4"	34.0	34.0	54.0	48.5	83.0	108.5	38.0	38.0	28.0	275	1150	1050	1050
		1.3	1.3	2.1	1.9	3.3	4.3	1.5	1.5	1.1	3987.5	16675	15225	15225
DINB 25	1"	41.0	41.0	63.5	56.0	96.5	129.0	44.0	44.0	31.0	250	1050	950	950
		1.6	1.6	2.5	2.2	3.8	5.1	1.7	1.7	1.2	3625	15225	13775	13775

PSI= Bar x14.5 Inches= mm/25.4

