

DIN V SERIES

Poppet seal couplings made to the ISO 5675 Standard

INTRODUCTION

Holmbury's DIN V Series couplings are designed with a poppet valve for quick and connection and disconnection. They are interchangeable with the ISO A couplings in sizes 1/2" and 3/4".

CONSTRUCTION

- Carbon steel with trivalent plating
- Fitted with Nitrile seals
- Also available in ball valve design (See DIN B Series)

FEATURES

- Poppet valves have balanced springs
- Locking ball system allows quick connection
- Bidirectional flow

ACCESSORIES

- Dust Caps, Plugs and Seal Kits are available for the DIN V Series



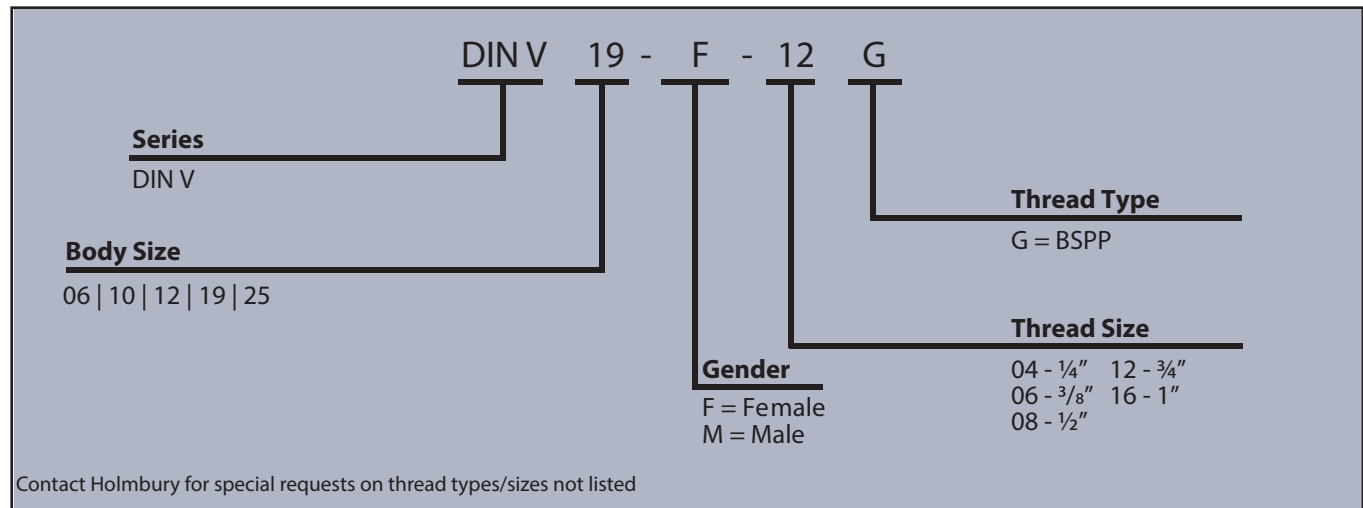
SPECIFICATIONS

- Operating temperatures (with Nitrile seals): -40°C (-40°F) to 106°C (223°F)

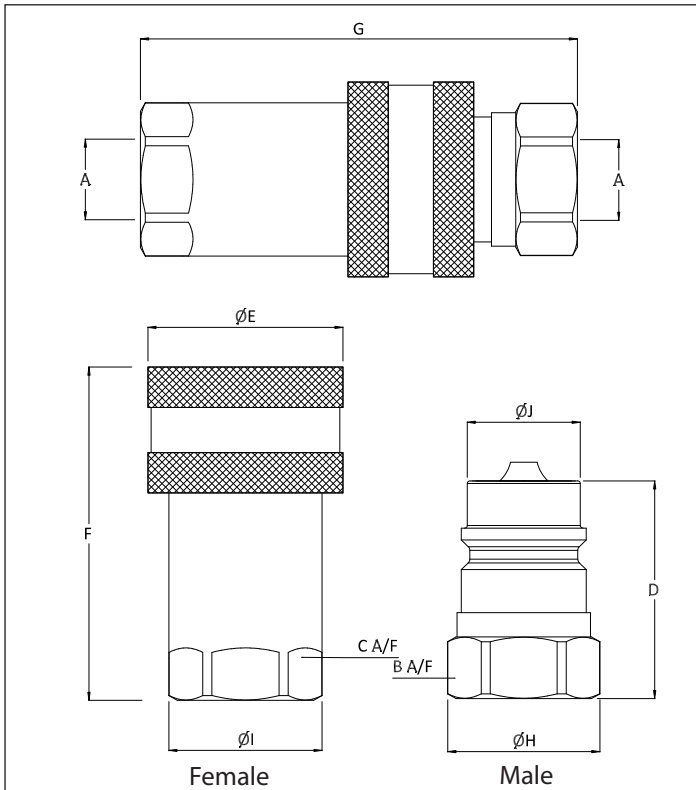
APPLICATIONS

- Agricultural
- Mobile
- Construction

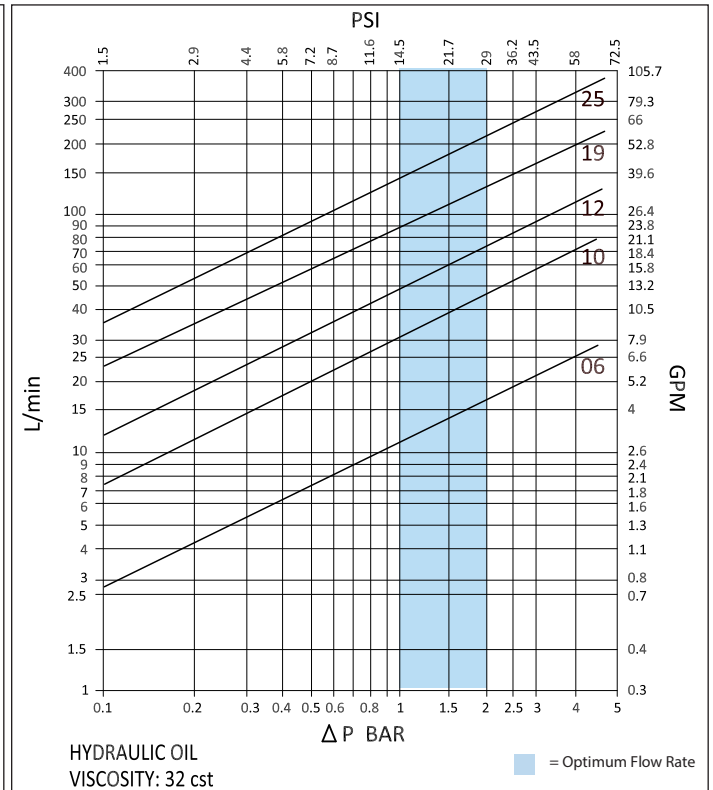
ORDER CODES



DRAWING



PRESSURE DROP CHARACTERISTICS



DIMENSIONS

Size	Thread Size (A)	B	C	D	ØE	F	G	ØH	ØI	ØJ	Maximum Working Pressure	Burst Pressure (Coupled)	Burst Pressure (Male)	Burst Pressure (Female)
		Dimensions in mm									Bar			
		Dimensions in Inches									Psi			
DINV 06	1/4"	19.0	22.0	36.5	28.0	55.5	74.5	21.0	23.8	14.0	375	1600	1600	1600
		0.7	0.9	1.4	1.1	2.2	2.9	0.8	0.9	0.6	5437.5	23200	23200	23200
DINV 10	3/8"	24.0	24.0	40.0	34.0	60.5	80.5	26.5	30.0	19.0	350	1450	1300	1300
		0.9	0.9	1.6	1.3	2.4	3.2	1.0	1.2	0.7	5075	21025	18850	18850
DINV 12	1/2"	27.0	27.0	43.5	38.5	66.0	88.0	30.0	30.0	20.5	320	1300	1500	1400
		1.1	1.1	1.7	1.5	2.6	3.5	1.2	1.2	0.8	4640	18850	21750	20300
DINV 19	3/4"	34.0	34.0	53.5	48.0	82.5	108.5	38.0	38.0	29.0	300	1200	1100	1100
		1.3	1.3	2.1	1.9	3.2	4.3	1.5	1.5	1.1	4350	17400	15950	15950
DINV 25	1"	41.0	41.0	64.0	56.5	98.0	129.0	44.0	47.5	31.0	275	1100	1000	1000
		1.6	1.6	2.5	2.2	3.9	5.1	1.7	1.9	1.2	3987.5	15950	14500	14500

PSI= Bar x14.5 Inches= mm/25.4

