

HSC SERIES

Heavy duty screw connect couplings

INTRODUCTION

Holmbury's HSC Series screw connect couplings are designed for heavy-duty, high pressure pulse applications. They are built to withstand the most severe pressure pulses, where other couplings may fail, due to the design preventing the movement of internal components.

CONSTRUCTION

- Carbon steel with trivalent plating
- Available only with BSPP threads
- Fitted with Viton seals

FEATURES

- Screw connect design eliminates brinelling
- Bidirectional flow
- Once connected all internal parts are held rigid which significantly reduces fatigue of the poppet, spring and coupling body
- Can be connected and disconnected under pressure
- All internal components are replaceable
- Supplied with caps and plugs to protect threads and limit inclusion of contaminant

ACCESSORIES

- Dust Caps, Plugs, Seal Kits, Repair Kits, Mounting Brackets and Wrenches are available for the HSC Series



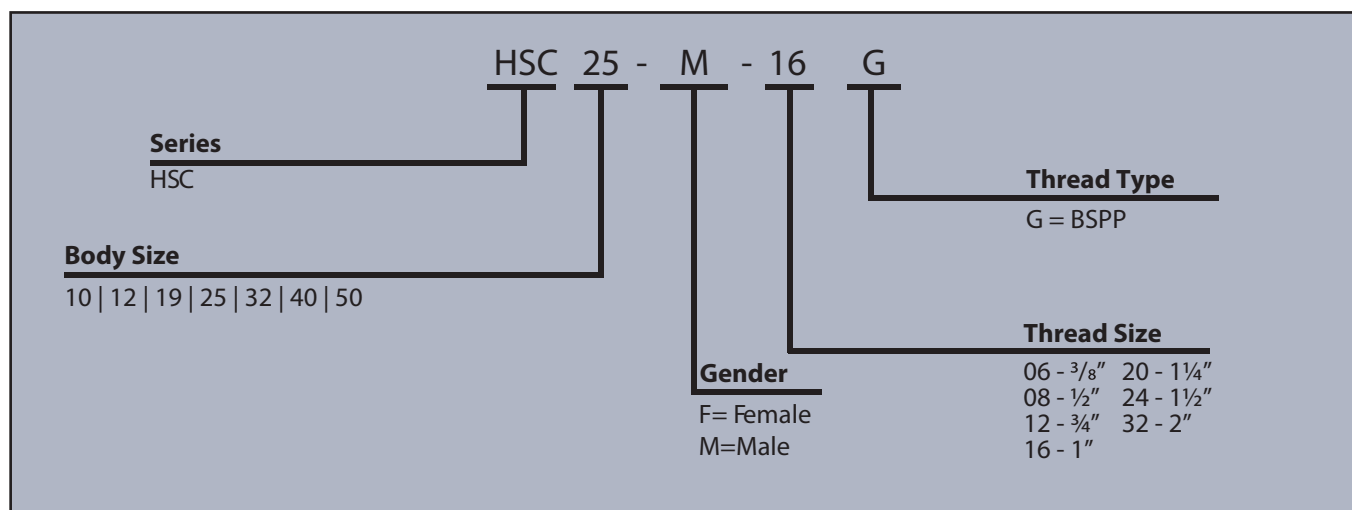
SPECIFICATIONS

- Operating temperatures (With Viton and Nitrile seals): -20°C (-4°F) to 120°C (248°F)

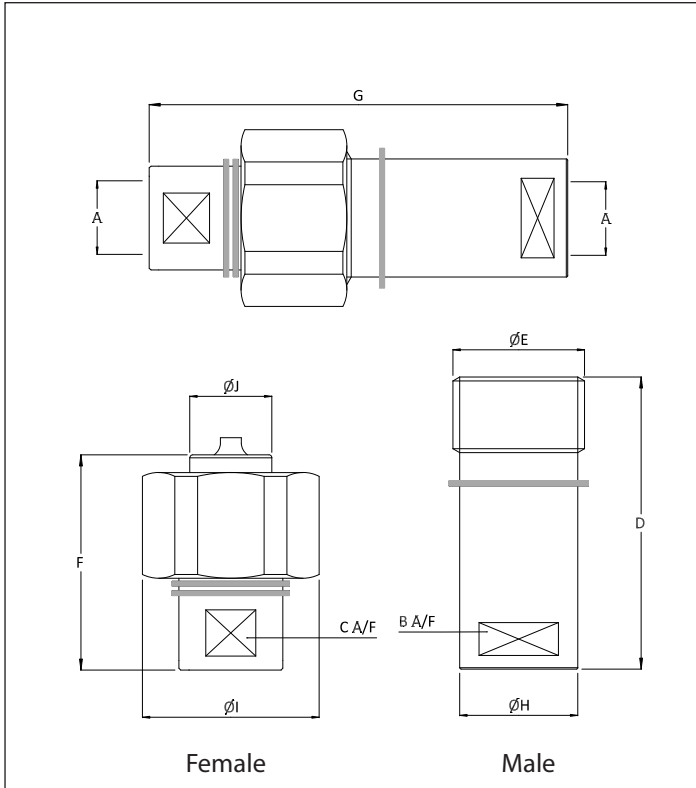
APPLICATIONS

- Hammer circuits
- Shears, rock crushers, test rigs and other intense pressure pulse applications

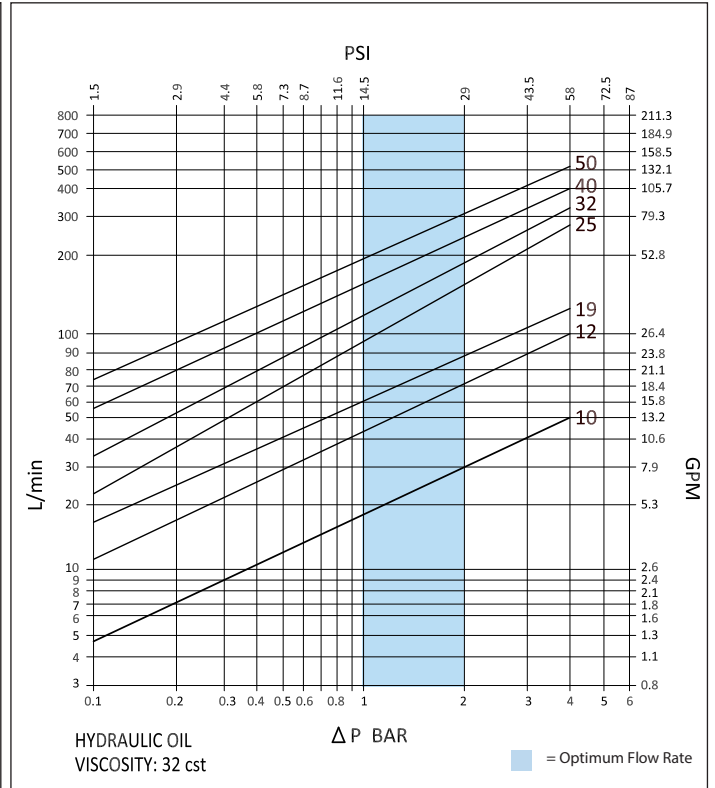
ORDER CODES



DRAWING



PRESSURE DROP CHARACTERISTICS



DIMENSIONS

Size	Thread Size (A)	B	C	D	ØE	F	G	ØH	ØI	ØJ	Maximum Working Pressure	Burst Pressure (Coupled)	Burst Pressure (Male)	Burst Pressure (Female)
Dimensions in Inches											Psi			
HSC 10	3/8"	22.0	22.0	77.0	35.5	57.0	112.0	30.0	49.0	22.0	500	2000	2000	2000
		0.9	0.9	3.0	1.4	2.2	4.4	1.2	1.9	0.9	7250	29000	29000	29000
HSC 12	1/2"	26.0	26.0	95.0	39.5	70.5	135.0	35.0	55.0	26.0	450	1800	1800	1800
		1.0	1.0	3.7	1.6	2.8	5.3	1.4	2.2	1.0	6525	26100	26100	26100
HSC 19	3/4"	30.0	30.0	99.5	44.5	73.0	142.0	40.0	60.5	28.0	400	1600	1600	1600
		1.2	1.2	3.9	1.8	2.9	5.6	1.6	2.4	1.1	5800	23200	23200	23200
HSC 25	1"	40.0	40.0	106.0	58.0	81.5	157.5	52.0	77.0	38.0	350	1400	1400	1400
		1.6	1.6	4.2	2.3	3.2	6.2	2.0	3.0	1.5	5075	20300	20300	20300
HSC 32	1 1/4"	48.0	48.0	118.0	65.5	88.0	171.5	60.0	88.0	47.5	320	1280	1280	1280
		1.9	1.9	4.6	2.6	3.5	6.8	2.4	3.5	1.9	4640	18560	18560	18560
HSC 40	1 1/2"	55.0	55.0	121.0	74.5	90.0	176.0	68.0	93.0	57.0	300	1200	1200	1200
		2.2	2.2	4.8	2.9	3.5	6.9	2.7	3.7	2.2	4350	17400	17400	17400
HSC 50	2"	76.0	76.0	165.0	108.0	120.0	240.0	90.5	144.0	75.0	250	250	250	250
		3.0	3.0	6.5	4.3	4.7	9.4	3.6	5.7	3.0	3625	3625	3625	3625

PSI= Bar x14.5 Inches= mm/25.4

SCREW CONNECT COUPLINGS

