

# IB SERIES

## ISO B couplings made to the ISO 7241:2014 Series B Standard

### INTRODUCTION

Holmbury's IB Series ISO B couplings are the ideal choice where a tough, durable product of superior quality is required. They are perfectly suited to agricultural and industrial applications

### CONSTRUCTION

- Carbon steel with trivalent plating (Zinc nickel plating available)
- Fitted with Nitrile seals (Viton seals available)
- Also available in AISI 316 stainless steel (See IBS Series)
- Also available in brass (See IBB Series)

### FEATURES

- Optional zinc nickel plating provides corrosion resistance (1200 hours with no red rust in salt spray tests)
- Poppet valves have balanced springs
- Locking ball system allows quick connection
- Bidirectional flow

### ACCESSORIES

- Dust Caps, Plugs and Seal Kits are available for the IB Series



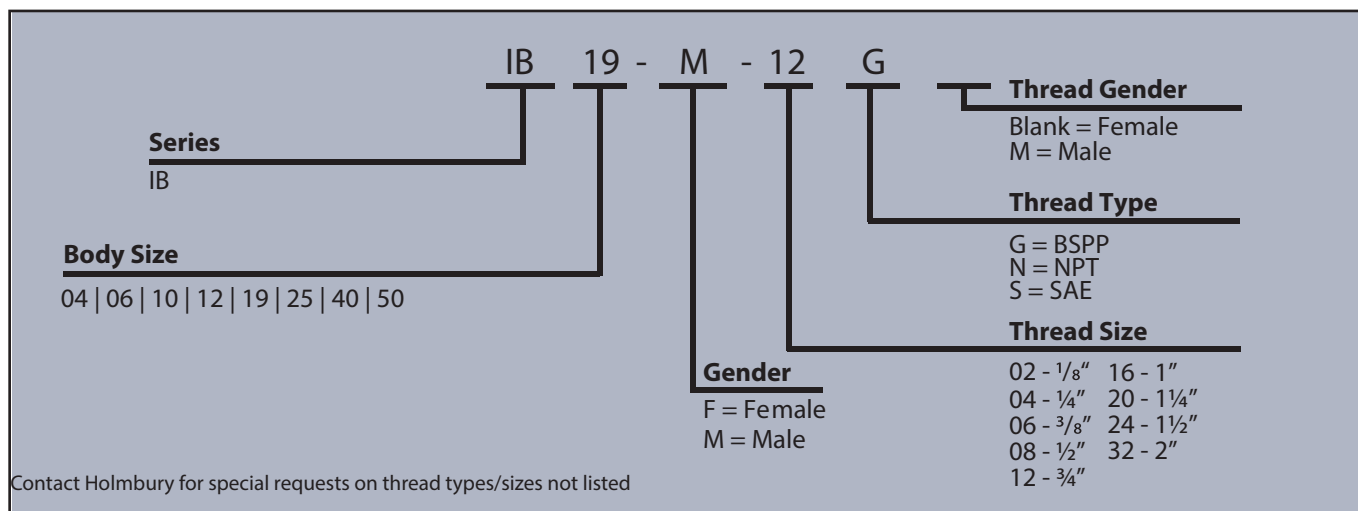
### SPECIFICATIONS

- Operating temperatures (with Nitrile seals): -40°C (-40°F) to 106°C (223°F), (with Viton seals): -20°C (-4°F) to 200°C (392°F)

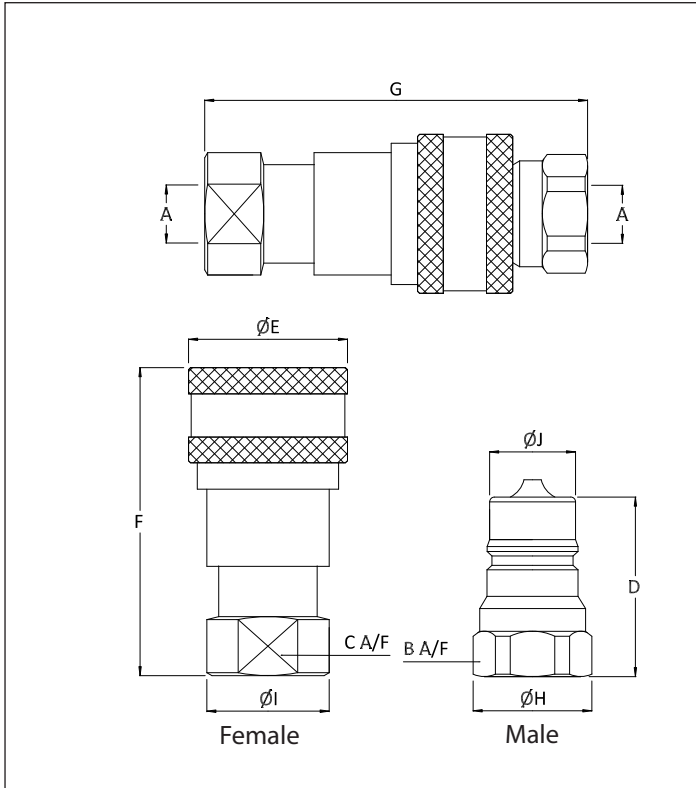
### APPLICATIONS

- Agricultural
- Mobile
- Construction

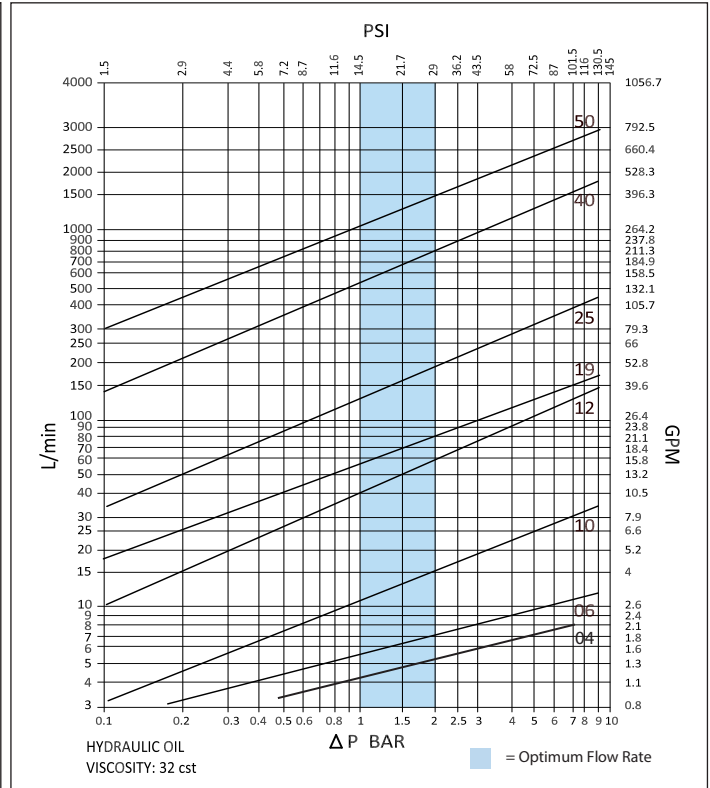
### ORDER CODES



## DRAWING



## PRESSURE DROP CHARACTERISTICS



## DIMENSIONS

Size	Thread Size (A)	B	C	D	ØE	F	G	ØH	ØI	ØJ	Maximum Working Pressure	Burst Pressure (Coupled)	Burst Pressure (Male)	Burst Pressure (Female)	
Dimensions in mm												Bar			
Dimensions in Inches												Psi			
IB 04	1/8"	14.0	17.0	29.0	24.0	48.0	58.5	15.0	19.0	11.0	500	2300	1900	1950	
		0.6	0.7	1.1	0.9	1.9	2.3	0.6	0.7	0.4	7250	33350	27550	28275	
IB 06	1/4"	19.0	19.0	36.0	28.5	58.0	72.5	21.0	22.0	14.0	400	1750	1700	1800	
		0.7	0.7	1.4	1.1	2.3	2.9	0.8	0.9	0.6	5800	25375	24650	26100	
IB 10	3/8"	24.0	24.0	40.0	35.0	65.0	80.5	26.5	27.0	19.0	350	1500	1500	1550	
		0.9	0.9	1.6	1.4	2.6	3.2	1.0	1.1	0.7	5075	21750	21750	22475	
IB 12	1/2"	28.5	28.5	46.5	44.5	74.0	94.0	31.5	33.5	23.5	300	1320	1350	1400	
		1.1	1.1	1.8	1.8	2.9	3.7	1.2	1.3	0.9	4350	19140	19575	20300	
IB 19	3/4"	36.0	36.0	56.0	54.0	92.5	113.0	39.0	39.0	31.5	300	1200	1300	1350	
		1.4	1.4	2.2	2.1	3.6	4.4	1.5	1.5	1.2	4350	17400	18850	19575	
IB 25	1"	41.0	41.0	63.0	63.0	103.0	127.0	44.5	48.0	38.0	280	1150	1060	1100	
		1.6	1.6	2.5	2.5	4.1	5.0	1.8	1.9	1.5	4060	16675	15370	15950	
IB 40	1 1/4"	65.0	65.0	126.0	75.0	126.0	198.0	70.0	70.0	44.5	170	700	750	800	
		2.6	2.6	5.0	3.0	5.0	7.8	2.8	2.8	1.8	2465	10150	10875	11600	
IB 40	1 1/2"	65.0	65.0	126.0	75.0	126.0	198.0	70.0	70.0	44.5	170	700	750	800	
		2.6	2.6	5.0	3.0	5.0	7.8	2.8	2.8	1.8	2465	10150	10875	11600	
IB 50	2"	90.0	90.0	124.0	105.0	124.0	222.0	97.0	97.0	63.0	100	500	600	700	
		3.5	3.5	4.9	4.1	4.9	8.7	3.8	3.8	2.5	1450	7250	8700	10150	

PSI= Bar x14.5 Inches= mm/25.4

