

# IBB SERIES

## Brass ISO B couplings made to the ISO 7241:2014 Series B Standard dimensions

### INTRODUCTION

Holmbury's IBB Series brass ISO B couplings incorporate all the benefits of the carbon steel IB Series couplings whilst providing good corrosion resistance for specific applications.

### CONSTRUCTION

- Brass body
- AISI 316 spring and AISI 302 locking ball
- Fitted with Viton seals
- Also available in carbon steel (See IB Series)
- Also available in AISI 316 stainless steel (See IBS Series)

### FEATURES

- Poppet valves have balanced springs
- Locking ball system allows quick connection
- Bidirectional flow

### ACCESSORIES

- Dust Caps, Plugs and Seal Kits are available for the IBB Series



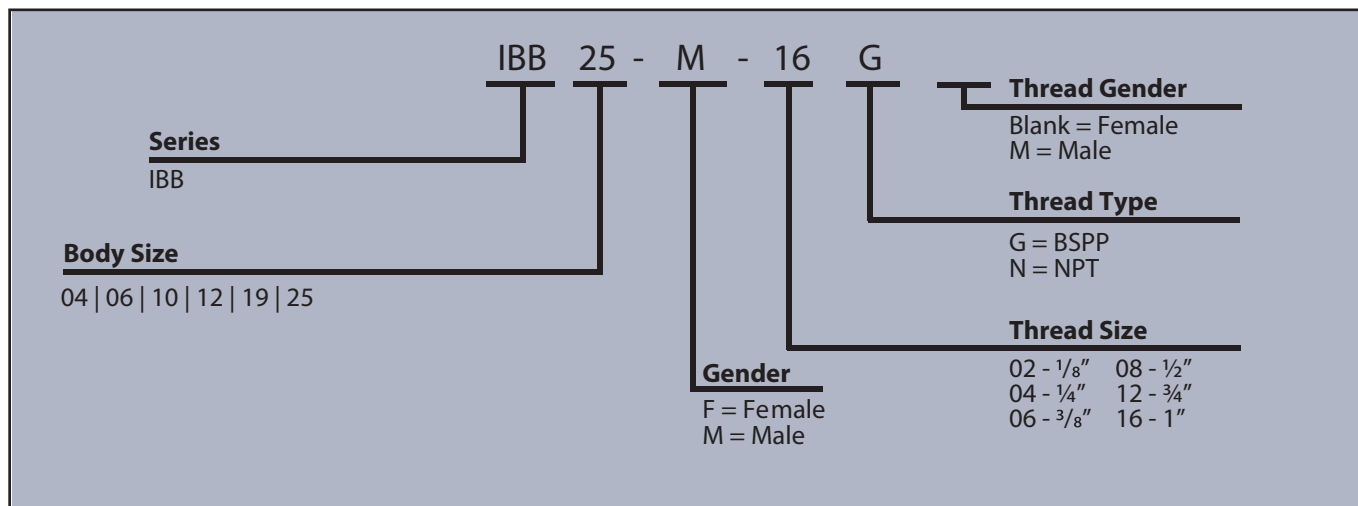
### SPECIFICATIONS

- Operating temperatures (With Viton seals): -20°C (-4°F) to 200°C (392°F)

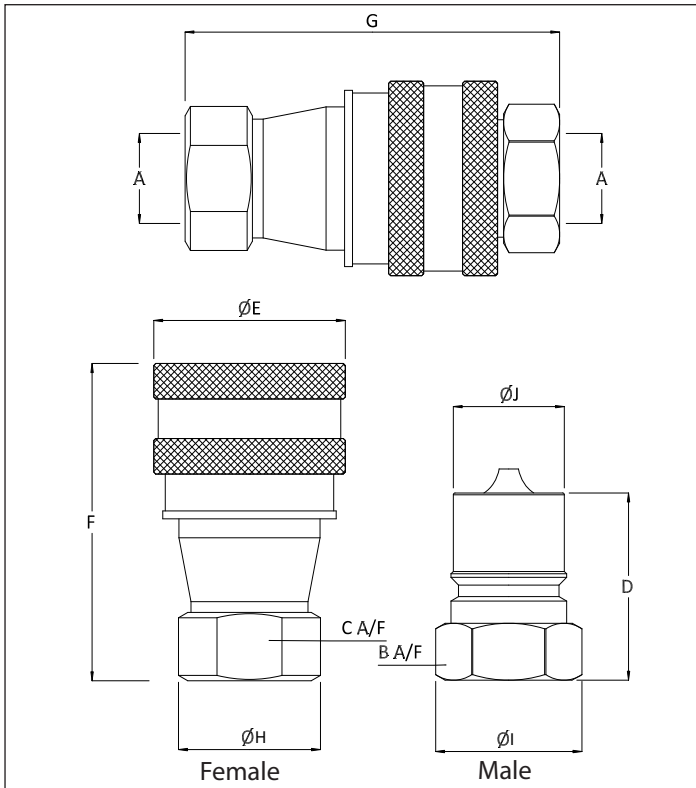
### APPLICATIONS

- Cooling systems
- Marine
- Oil and gas
- Chemical
- Pharmaceutical

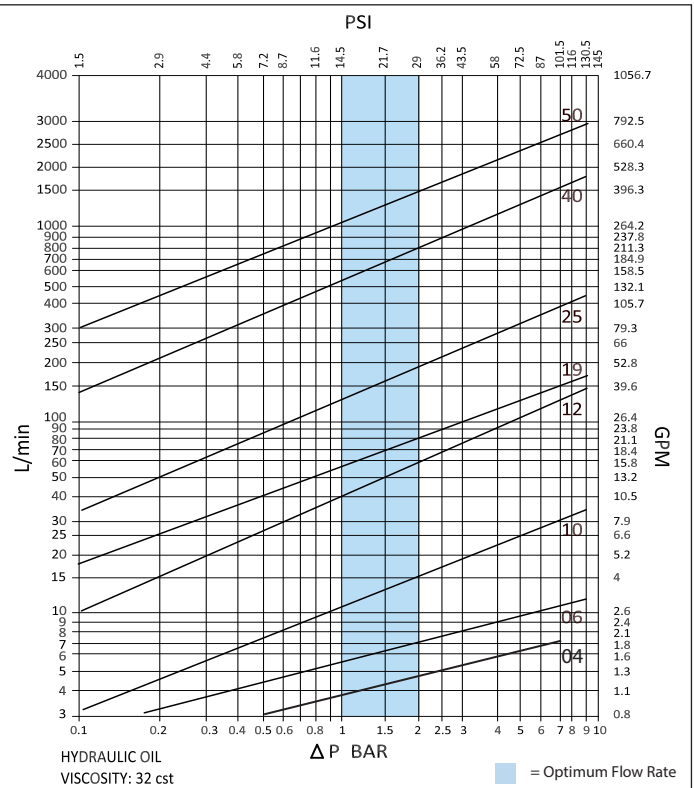
### ORDER CODES



## DRAWING



## PRESSURE DROP CHARACTERISTICS



STAINLESS STEEL & BRASS COUPLINGS

## DIMENSIONS

Size	Thread Size (A)	B	C	D	ØE	F	G	ØH	ØI	ØJ	Maximum Working Pressure	Burst Pressure (Coupled)	Burst Pressure (Male)	Burst Pressure (Female)
		Dimensions in mm									Bar			
		Dimensions in Inches									PSI			
IBB 04	1/8"	14.0	14.0	29.0	24.0	48.0	58.4	16.0	18.0	11.0	210	735	685	735
		0.6	0.6	1.1	0.9	1.9	2.3	0.6	0.7	0.4	3045	10657.5	9932.5	10657.5
IBB 06	1/4"	17.0	19.0	36.0	27.1	58.1	72.4	19.3	22.0	14.0	210	735	685	735
		0.7	0.7	1.4	1.1	2.3	2.9	0.8	0.9	0.6	3045	10657.5	9932.5	10657.5
IBB 10	3/8"	22.0	22.0	40.0	35.0	64.8	80.4	25.0	25.0	19.0	180	630	580	630
		0.9	0.9	1.6	1.4	2.6	3.2	1.0	1.0	0.7	2610	9135	8410	9135
IBB 12	1/2"	27.0	27.0	46.6	45.0	73.0	92.0	31.5	35.0	23.5	180	630	580	630
		1.1	1.1	1.8	1.8	2.9	3.6	1.2	1.4	0.9	2610	9135	8410	9135
IBB 19	3/4"	36.0	36.0	52.0	54.1	88.4	105.5	41.3	40.0	31.5	140	490	440	490
		1.4	1.4	2.0	2.1	3.5	4.2	1.6	1.6	1.2	2030	7105	6380	7105
IBB 25	1"	41.0	41.0	62.0	64.5	102.0	125.0	47.0	48.0	38.0	140	490	440	490
		1.6	1.6	2.4	2.5	4.0	4.9	1.9	1.9	1.5	2030	7105	6380	7105

PSI= Bar x14.5 Inches= mm/25.4

