

# IBS SERIES

## Stainless steel ISO B couplings made to the ISO 7241:2014 Series B Standard dimensions

### INTRODUCTION

Holmbury's IBS Series stainless steel ISO B couplings incorporate all the benefits of the carbon steel IB Series couplings, whilst being perfectly suited for corrosive fluids and environments.

### CONSTRUCTION

- AISI 316 stainless steel
- Fitted with Viton seals (Other seals available on request)
- Also available in brass (See IBB Series)
- Also available in carbon steel (See IB Series)

### FEATURES

- Poppet valves have balanced springs
- Locking ball system allows for quick connection
- Bidirectional flow

### ACCESSORIES

- Dust Caps, Plugs and Seal Kits are available for the IBS Series



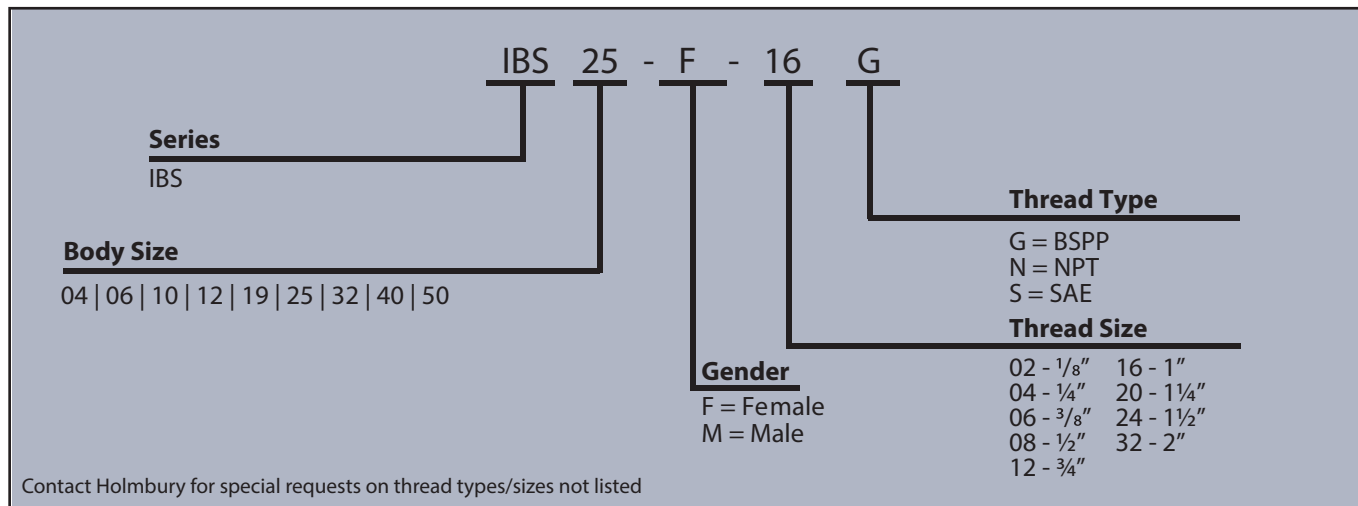
### SPECIFICATIONS

- Operating temperatures (With Viton seals): -20°C (-4°F) to 200°C (392°F)

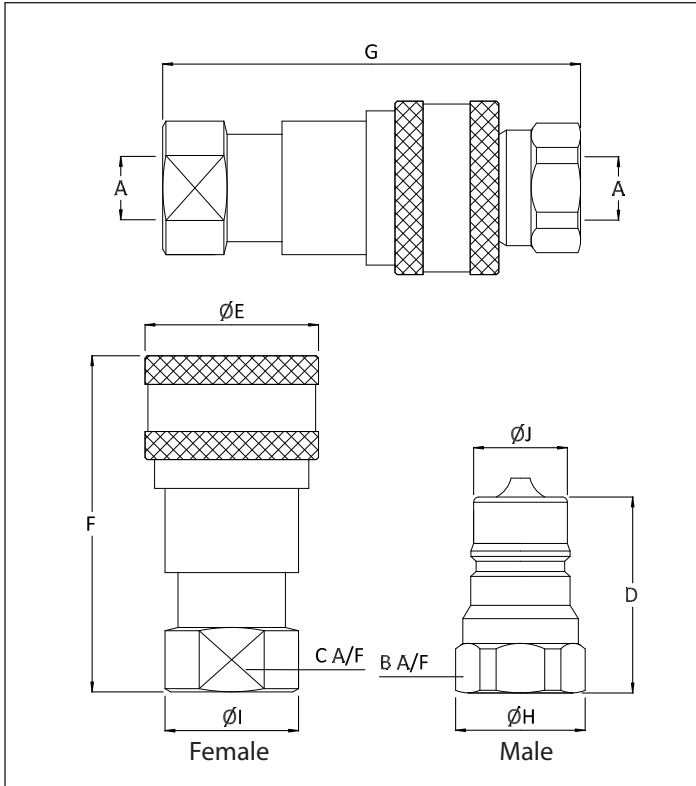
### APPLICATIONS

- Corrosive fluids and environments
- Marine
- Oil and gas
- Chemical
- Pharmaceutical
- Nuclear

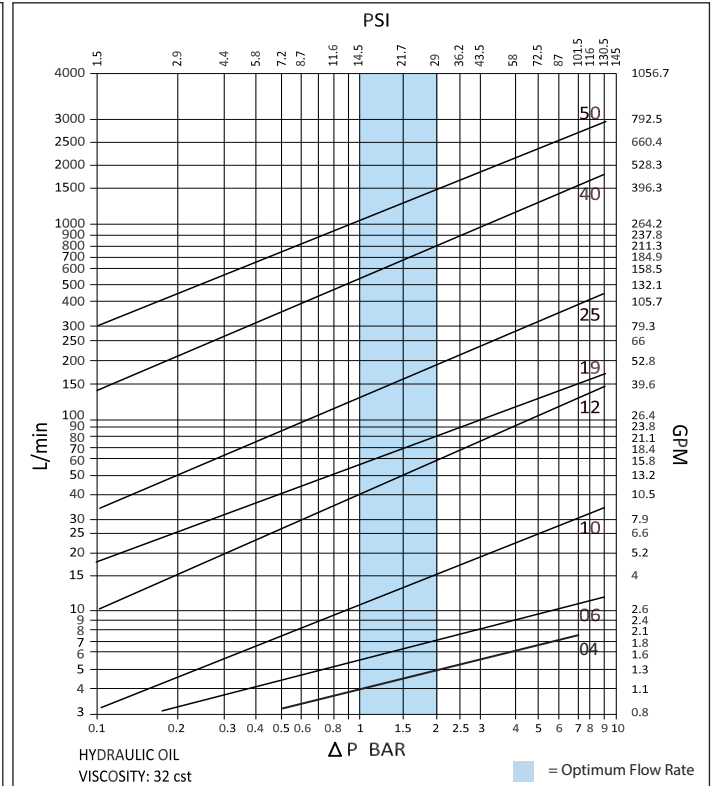
### ORDER CODES



## DRAWING



## PRESSURE DROP CHARACTERISTICS



## DIMENSIONS

Size	Thread Size (A)	B	C	D	ØE	F	G	ØH	ØI	ØJ	Maximum Working Pressure	Burst Pressure (Coupled)	Burst Pressure (Male)	Burst Pressure (Female)
Dimensions in mm												Bar		
Dimensions in Inches												Psi		
IBS 04	1/8"	14.0	14.0	31.0	24.0	50.0	62.0	15.8	15.8	11.0	300	900	1000	900
		0.6	0.6	1.2	0.9	2.0	2.4	0.6	0.6	0.4	4350	13050	14500	13050
IBS 06	1/4"	19.0	19.0	36.0	28.0	57.0	72.0	21.5	21.5	14.0	300	900	950	900
		0.7	0.7	1.4	1.1	2.2	2.8	0.8	0.8	0.6	4350	13050	13775	13050
IBS 10	3/8"	22.0	24.0	39.0	35.0	64.0	78.0	24.5	27.0	19.0	250	750	850	750
		0.9	0.9	1.5	1.4	2.5	3.1	1.0	1.1	0.7	3625	10875	12325	10875
IBS 12	1/2"	27.0	30.0	45.5	42.0	73.0	91.0	30.0	33.0	23.5	250	750	800	750
		1.1	1.2	1.8	1.7	2.9	3.6	1.2	1.3	0.9	3625	10875	11600	10875
IBS 19	3/4"	34.0	36.0	53.5	51.5	87.0	107.0	38.0	41.0	31.5	250	750	800	750
		1.3	1.4	2.1	2.0	3.4	4.2	1.5	1.6	1.2	3625	10875	11600	10875
IBS 25	1"	41.0	41.0	63.0	60.0	102.0	125.0	46.0	45.0	38.0	200	600	650	600
		1.6	1.6	2.5	2.4	4.0	4.9	1.8	1.8	1.5	2900	8700	9425	8700

PSI= Bar x14.5 Inches= mm/25.4

