

KM 115/116 SERIES

High pressure poppet valve couplings

INTRODUCTION

Holmbury's KM 115/116 Series high pressure poppet valve couplings are primarily used in bolt tensioners and other high pressure applications. The KM 116 can withstand a higher maximum working pressure than the KM 115.

CONSTRUCTION

- KM 115- Carbon steel with grey zinc nickel plating (1200 hours with no red rust in salt spray tests)
- KM 116- Carbon steel with black zinc nickel plating (1200 hours with no red rust in salt spray tests)
- Available in size 02 body with 1/4" NPT or BSP threads
- Fitted with Nitrile seals

FEATURES

- 1000 bar maximum working pressure (KM 115), 1500 bar maximum working pressure (KM 116)
- Poppet valve design
- Locking ball system allows quick connection
- Bidirectional flow

ACCESSORIES

- Dust Caps and Plugs are available for the KM Series



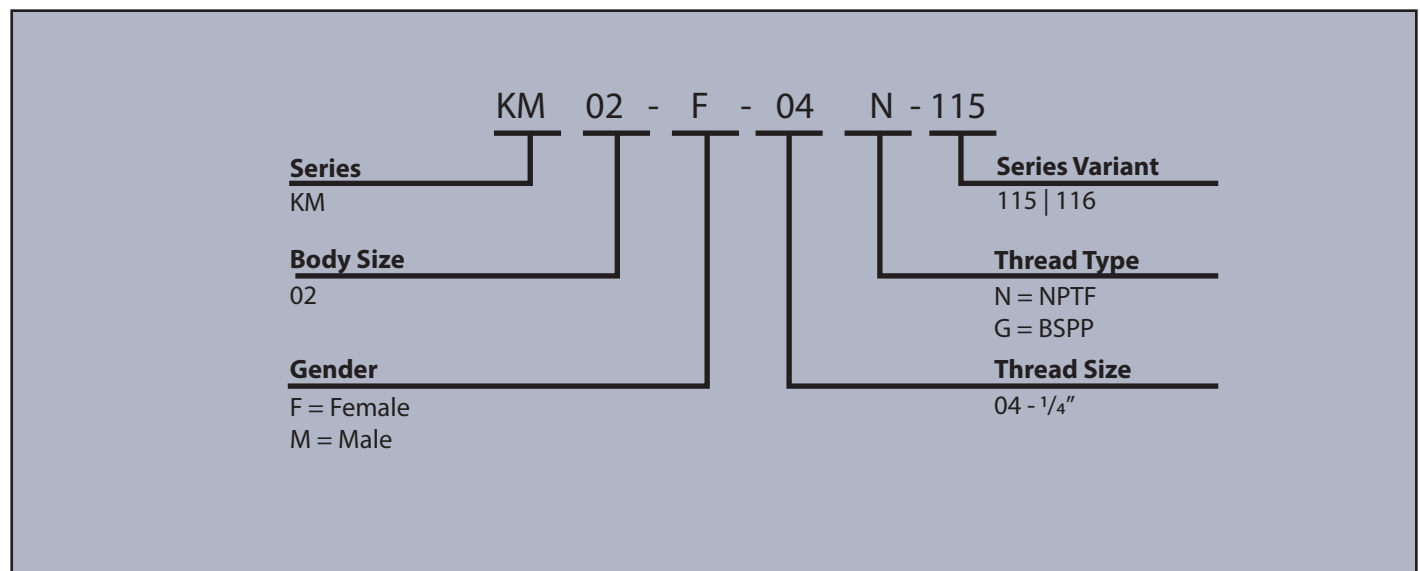
SPECIFICATIONS

- Operating temperatures (With Nitrile seals): -40°C (-40°F) to 106°C (223°F)

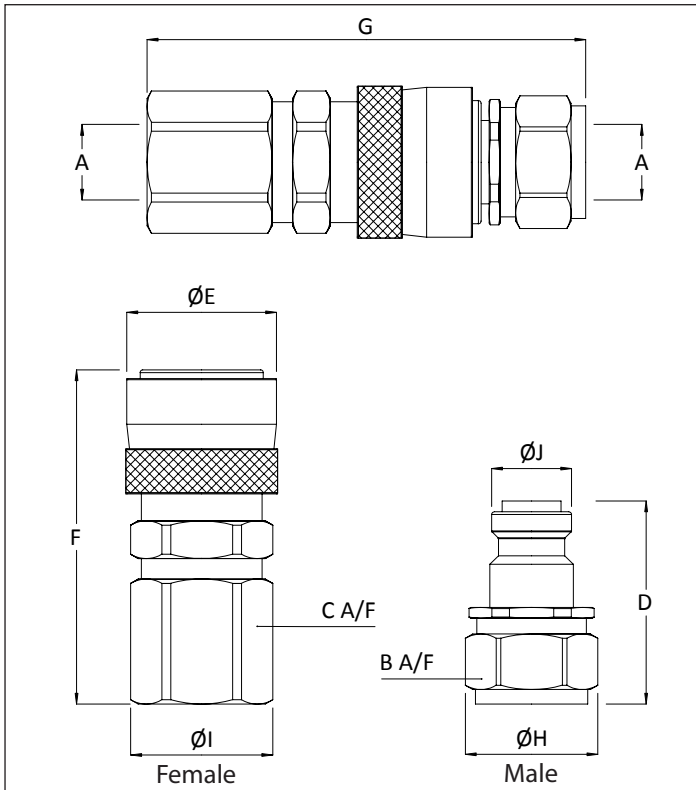
APPLICATIONS

- Bolt tensioners
- Hydraulic jacks
- Hydraulic hammers
- Other high pressure applications

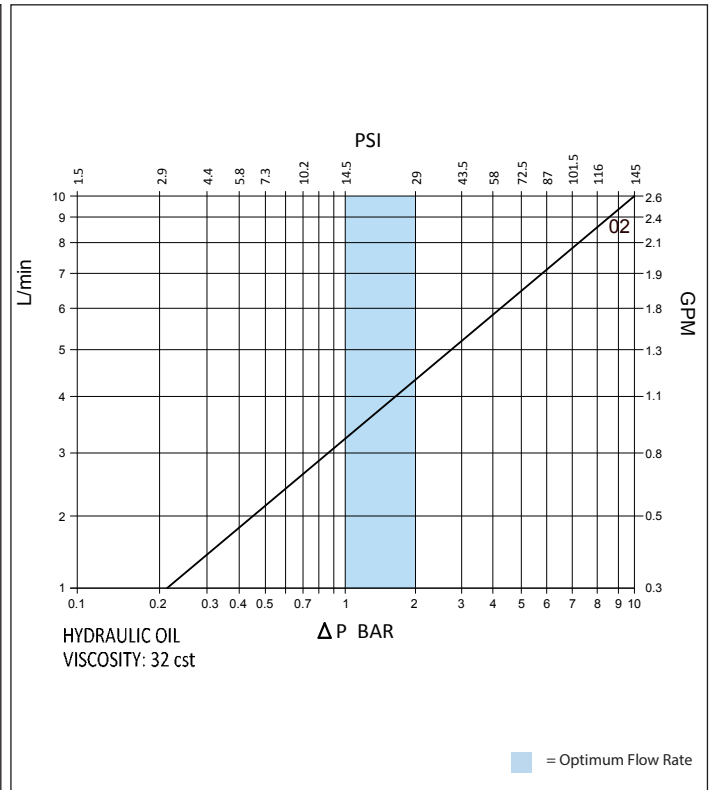
ORDER CODES



DRAWING



PRESSURE DROP CHARACTERISTICS



DIMENSIONS

Size	Thread Size (A)	B	C	D	ØE	F	G	ØH	ØI	ØJ	Maximum Working Pressure	Burst Pressure (Coupled)	Burst Pressure (Male)	Burst Pressure (Female)
		Dimensions in mm									Bar			
		Dimensions in Inches									Psi			
KM 02-115	1/4"	21.8	23.8	38.1	27.8	61.5	81.4	24.7	26.4	14.8	1000	2500	2500	2400
		0.9	0.9	1.5	1.1	2.4	3.2	1.0	1.0	0.6	14500	36250	36250	34800
KM 02-116	1/4"	21.8	23.8	38.1	27.8	61.5	81.4	24.7	26.4	14.8	1500	3000	3000	2900
		0.9	0.9	1.5	1.1	2.4	3.2	1.0	1.0	0.6	21750	43500	43500	42050

PSI= Bar x14.5 Inches= mm/25.4

WARNING

Hydraulic couplings operating at high pressures pose a significant risk to personal safety. Please refer to our Safety Guidelines for more information.

