

PTS SERIES

Stainless steel high pressure heavy duty screw connect couplings

INTRODUCTION

Holmbury's PTS Series stainless steel screw connect couplings are designed for heavy duty applications involving very high pressures and severe pressure pulses. They incorporate all the benefits of the carbon steel PTC Series, whilst being perfectly suited for corrosive fluids and environments.

CONSTRUCTION

- AISI 316 stainless steel
- Fitted with Viton seals (Other seals available on request)
- Also available in carbon steel (See PTC Series)

FEATURES

- Can be connected with 50 bar residual pressure in the hydraulic circuit
- Bidirectional flow

ACCESSORIES

- Dust Caps and Plugs are available for the PTS Series



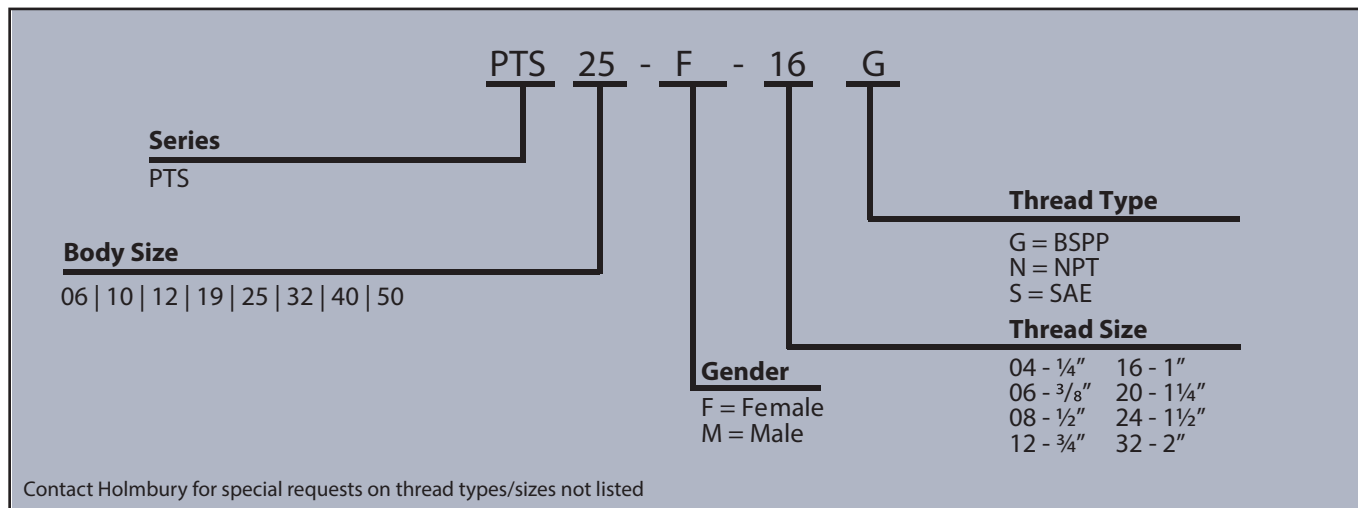
SPECIFICATIONS

- Operating temperatures (With Viton seals): -20°C (-4°F) to 200°C (392°F)

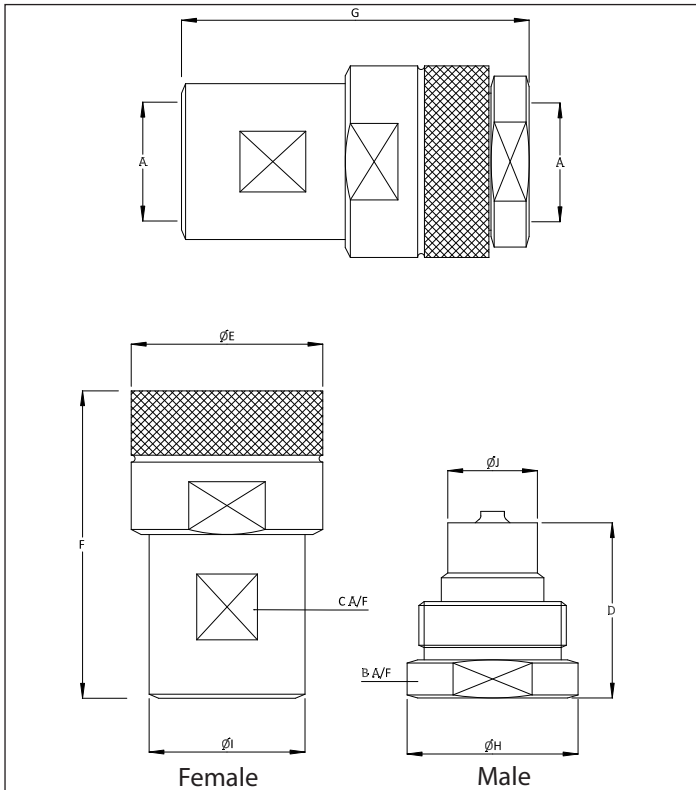
APPLICATIONS

- Hydraulic jacks
- Marine
- Oil and gas

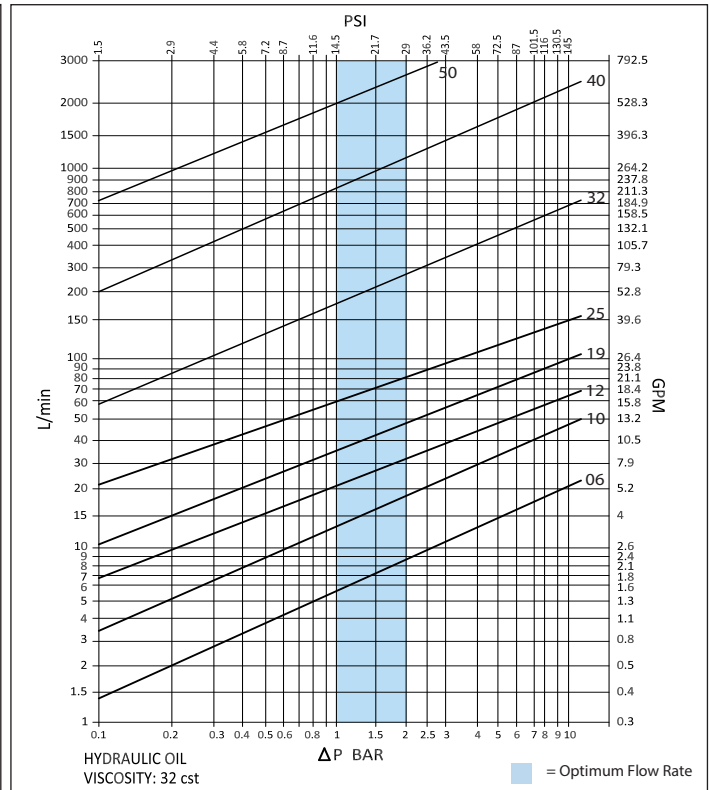
ORDER CODES



DRAWING



PRESSURE DROP CHARACTERISTICS



DIMENSIONS

Size	Thread Size (A)	B	C	D	ØE	F	G	ØH	ØI	ØJ	Maximum Working Pressure	Burst Pressure (Coupled)	Burst Pressure (Male)	Burst Pressure (Female)
		Dimensions in mm									Bar			
		Dimensions in Inches									Psi			
PTS 06	1/4"	25.0	27.0	43.0	30.0	61.5	84.5	27.0	25.0	14.0	700	3700	3700	3800
		1.0	1.1	1.7	1.2	2.4	3.3	1.1	1.0	0.6	10150	53650	53650	55100
PTS 10	3/8"	32.0	36.0	48.5	39.0	69.0	89.5	35.0	32.0	19.0	650	2600	2300	2000
		1.3	1.4	1.9	1.5	2.7	3.5	1.4	1.3	0.7	9425	37700	33350	29000
PTS 12	1/2"	34.0	41.0	53.0	44.0	79.0	103.0	38.0	38.0	20.5	600	2500	2100	2700
		1.3	1.6	2.1	1.7	3.1	4.1	1.5	1.5	0.8	8700	36250	30450	39150
PTS 19	3/4"	46.0	50.0	63.0	54.0	97.5	121.5	48.5	44.0	28.0	500	2400	2100	1700
		1.8	2.0	2.5	2.1	3.8	4.8	1.9	1.7	1.1	7250	34800	30450	24650
PTS 25	1"	50.0	54.5	72.5	59.0	112.5	139.0	54.0	54.0	31.5	460	1500	1600	1900
		2.0	2.1	2.9	2.3	4.4	5.5	2.1	2.1	1.2	6670	21750	23200	27550
PTS 32	1 1/4"	65.0	74.5	86.0	80.0	139.5	167.0	70.0	69.5	44.0	380	1000	1000	1000
		2.6	2.9	3.4	3.1	5.5	6.6	2.8	2.7	1.7	5510	14500	14500	14500
PTS 40	1 1/2"	80.0	90.0	95.0	98.0	172.0	188.0	83.0	78.5	53.5	365	1000	900	950
		3.1	3.5	3.7	3.9	6.8	7.4	3.3	3.1	2.1	5292.5	14500	13050	13775
PTS 50	2"	110.0	123.0	118.5	127.5	160.0	228.0	115.5	105.0	82.0	300	900	900	900
		4.3	4.8	4.7	5.0	6.3	9.0	4.5	4.1	3.2	4350	13050	13050	13050

PSI= Bar x14.5 Inches= mm/25.4

