

RH SERIES

Zero leakage screw connect couplings

INTRODUCTION

Holmbury's RH Series screw connect couplings are designed for heavy-duty service conditions in applications including construction plant, high pressure pulse and agricultural machinery.

CONSTRUCTION

- Carbon steel with zinc nickel plating (1200 hours with no red rust in salt spray tests)
- Fitted with Nitrile seals

FEATURES

- Screw connect design eliminates brinelling
- Allows for minimal inclusion of air and contaminants during connection
- Flat face design prevents fluid loss during disconnection
- Bidirectional flow
- Can be connected with up to 50 bar residual pressure in the hydraulic circuit

ACCESSORIES

- Dust Caps, Plugs and Seal Kits are available for the RH Series



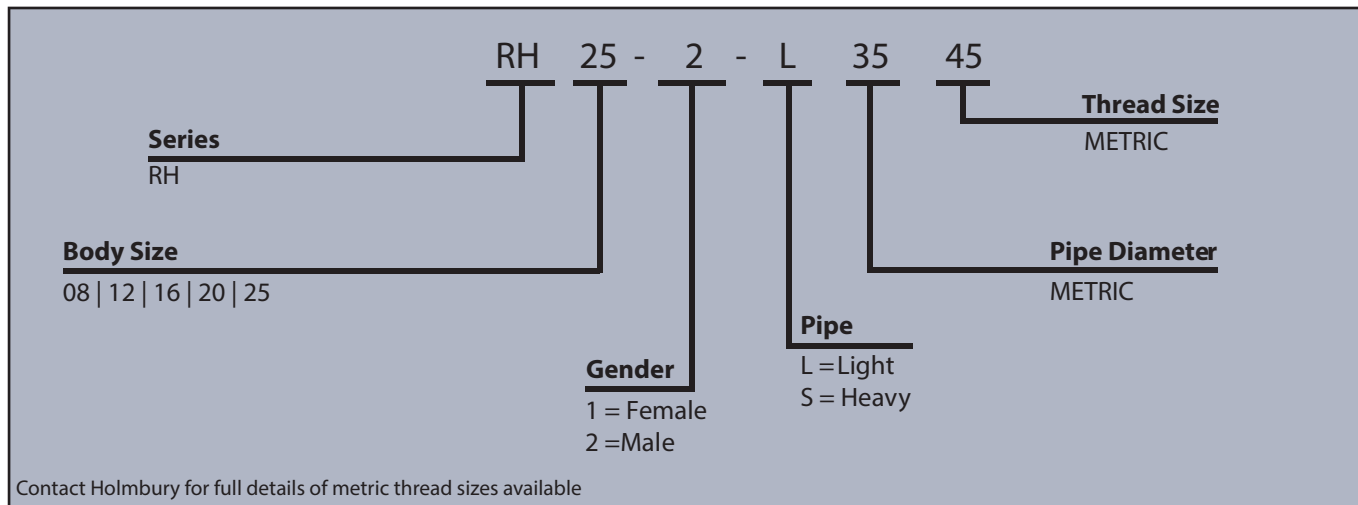
SPECIFICATIONS

- Operating temperatures (With Nitrile seals): -40°C (-40°F) to 106°C (223°F)

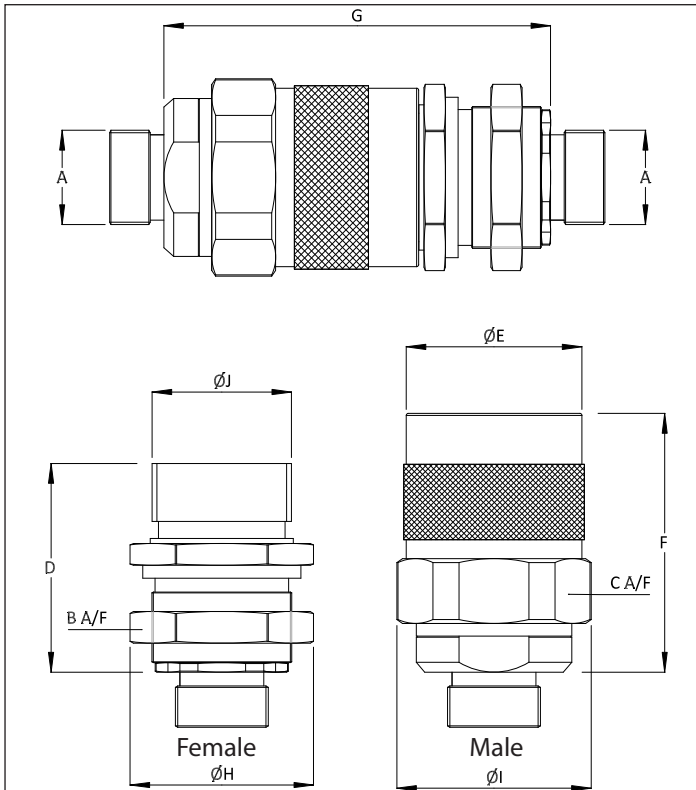
APPLICATIONS

- Hammer circuits
- High pressure pulse applications
- Construction plant, mobile equipment, demolition and agricultural industries

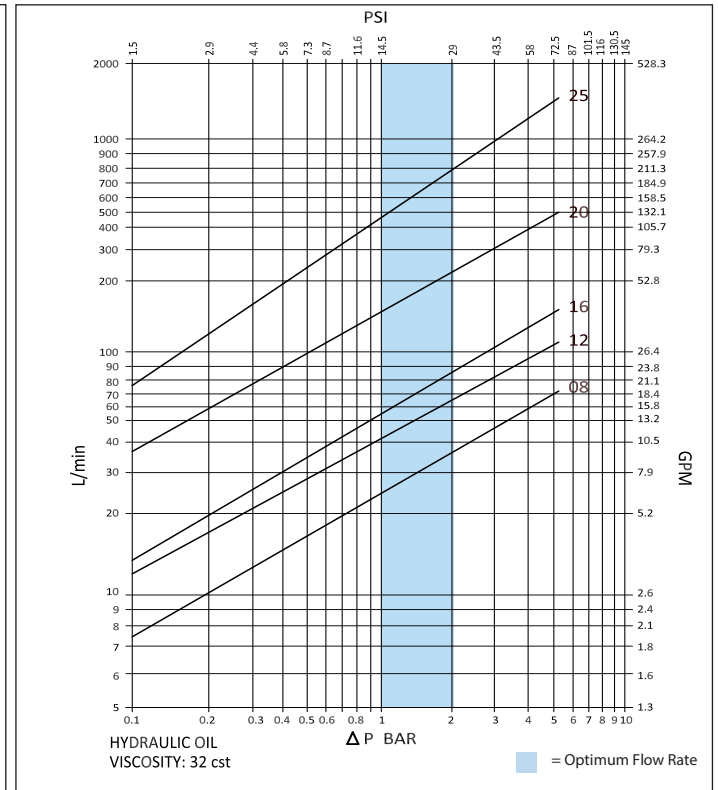
ORDER CODES



DRAWING



PRESSURE DROP CHARACTERISTICS



DIMENSIONS

Size	Front End Thread Connection (øJ)	B	C	D	øE	F	Maximum Working Pressure	Burst Pressure (Coupled)	Burst Pressure (Male)	Burst Pressure (Female)	
		Dimensions in mm						Bar			
		Dimensions in Inches						Psi			
RH 08	M32 x 3	36.0	36.0	44.0	39.0	50.0	420	1600	1600	1600	
		1.4	1.4	1.7	1.5	2.0	6090	23200	23200	23200	
RH 12	M36 x 3	41.0	46.0	53.0	45.0	66.0	420	1600	1260	1600	
		1.6	1.8	2.1	1.8	2.6	6090	23200	18270	23200	
RH 16	M48 x 3	50.0	60.0	55.0	59.0	55.0	420	1260	1260	1260	
		2.0	2.4	2.2	2.3	2.2	6090	18270	18270	18270	
RH 20	M54 x 4	46.0	55.0	78.0	64.0	91.0	350	1000	1200	1000	
		1.8	2.2	3.1	2.5	3.6	5075	14500	17400	14500	
RH 25	M79 x 4	55.0	80.0	106.0	90.0	120.0	420	1150	900	1100	
		2.2	3.1	4.2	3.5	4.7	6090	16675	13050	15950	

PSI= Bar x14.5 Inches= mm/25.4

