

# SPH SERIES

## High pressure screw connect coupler

### INTRODUCTION

Holmbury's SPH Series stainless steel screw connect couplers are perfect for applications where high pressures are present. The coupler connects using a brass nut.

### CONSTRUCTION

- AISI 316 stainless steel body with brass nut
- Available only in size 06 body with 1/4" NPT thread
- Fitted with Viton seals

### FEATURES

- 10,000 PSI maximum working pressure
- Screw connect design eliminates brinelling
- Bidirectional flow

### ACCESSORIES

- Dust Caps and Plugs are included with the SPH Series as standard



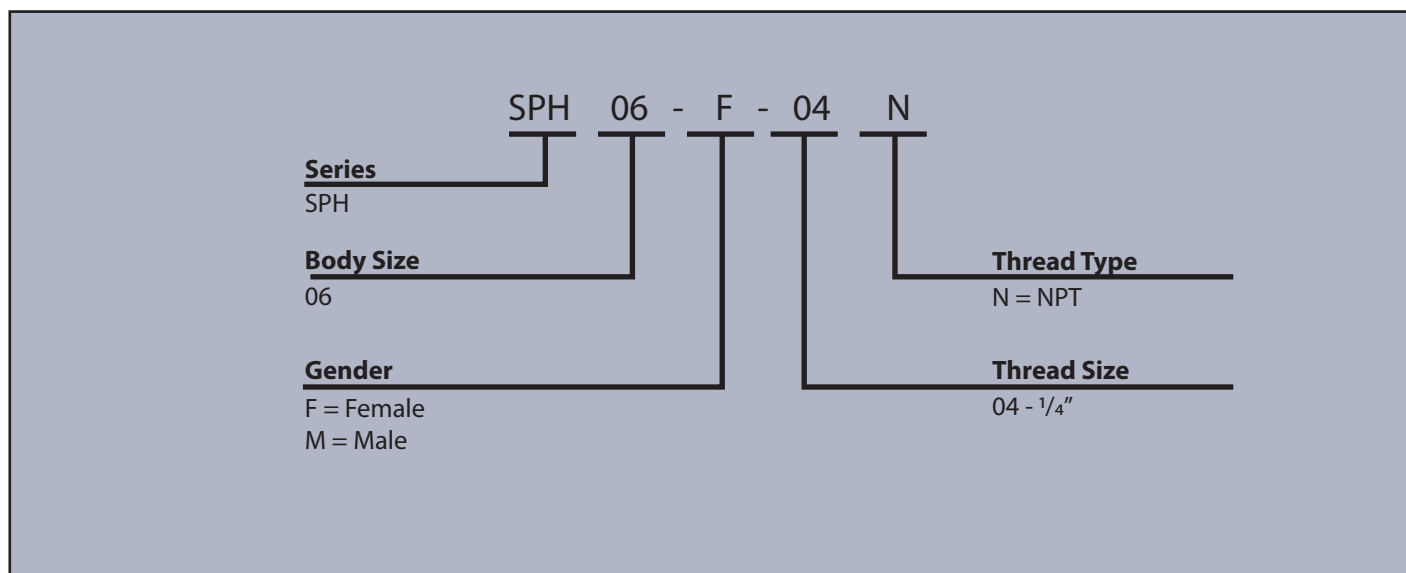
### SPECIFICATIONS

- Operating temperatures (With Viton seals): -20°C (-4°F) to 200°C (392°F)

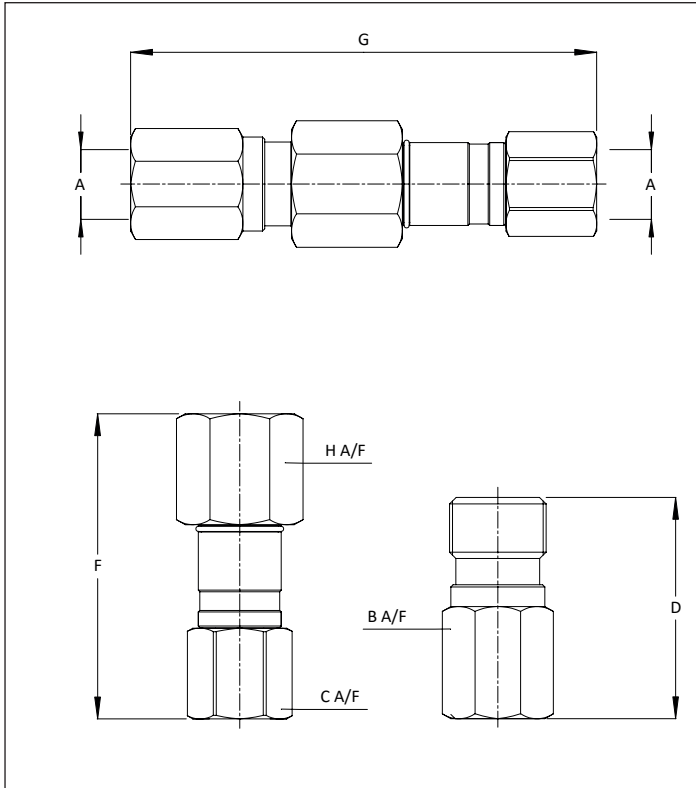
### APPLICATIONS

- Offshore equipment
- Instrumentation and gauges
- Corrosive environments

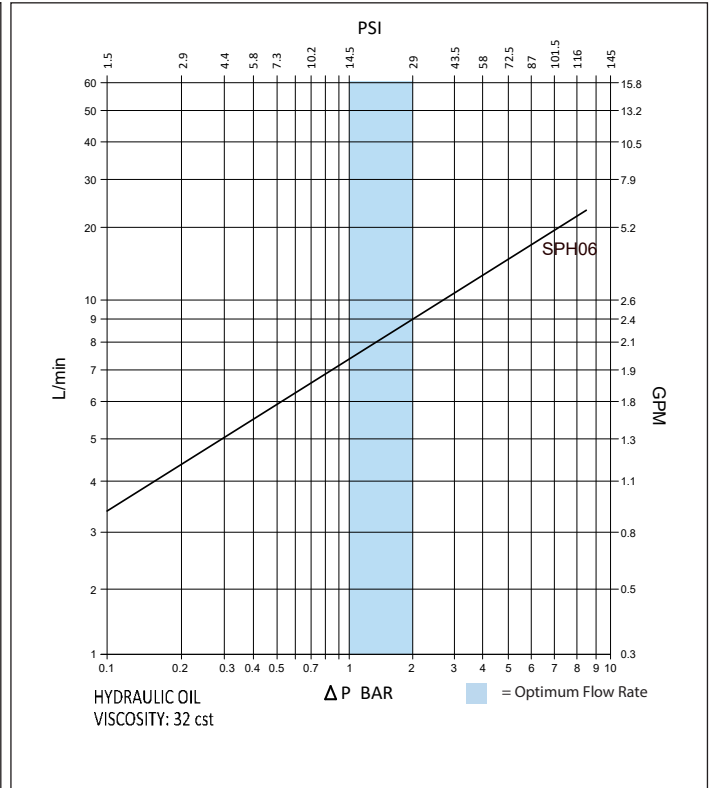
### ORDER CODES



## DRAWING



## PRESSURE DROP CHARACTERISTICS



## DIMENSIONS

Size	Thread Size (A)	B	C	D	F	G	H	Maximum Working Pressure
		Dimensions in mm						Bar
		Dimensions in Inches						Psi
SPH 06	1/4"	22.1	22.1	50.8	69.9	106.2	25.4	690
		0.9	0.9	2.0	2.8	4.2	1.0	10000

PSI= Bar x14.5 Inches= mm/25.4

