

MP SERIES

Multiplate couplers

INTRODUCTION

Holmbury's MP Series multiplate couplers allow the simultaneous connection of multiple hydraulic lines. The MP Series inherits the benefits of Holmbury's flat face coupler design. Currently available with 2, 4 or 6 port design.

CONSTRUCTION

- Couplers and handle- Carbon steel with zinc nickel plating (1200 hours with no red rust in salt spray tests)
- Body- Aluminium black anodized
- Button - Aluminium red anodized
- Fitted with Nitrile and polyurethane seals

FEATURES

- Connect under pressure male couplers
- Couplers are circlip mounted and can be replaced or removed easily
- Flat faces are easily wiped clean
- Allows for minimal inclusion of air and contaminants during connection
- Flat face design prevents fluid loss during disconnection
- Electrical connections may be added upon request
- Various configurations for handle and button arrangement available upon request
- Bidirectional flow



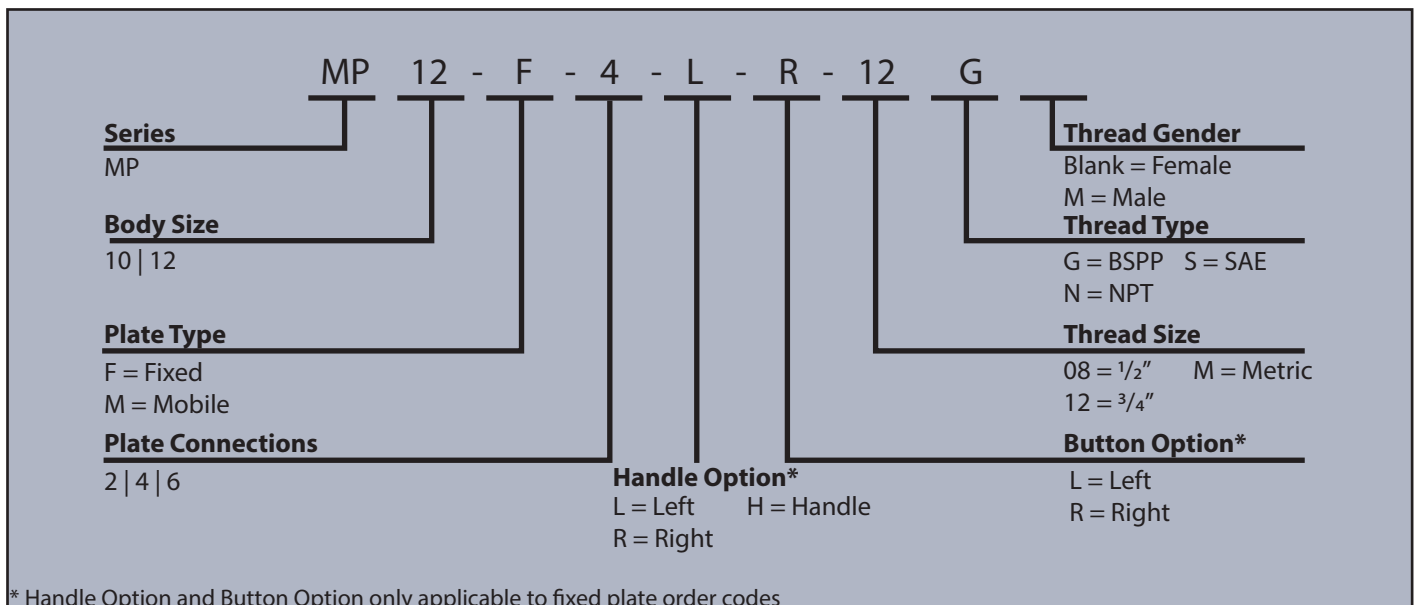
SPECIFICATIONS

- Operating temperatures (With Nitrile seals): -40°C (-40°F) to 106°C (223°F)

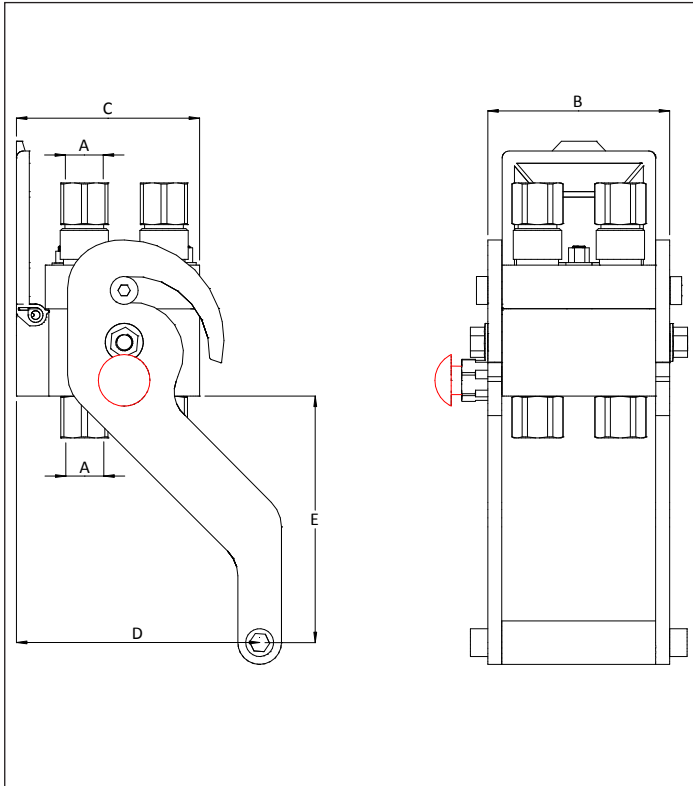
APPLICATIONS

- Leak free environments
- Mobile construction equipment
- Tractors and other agricultural machinery
- General industrial

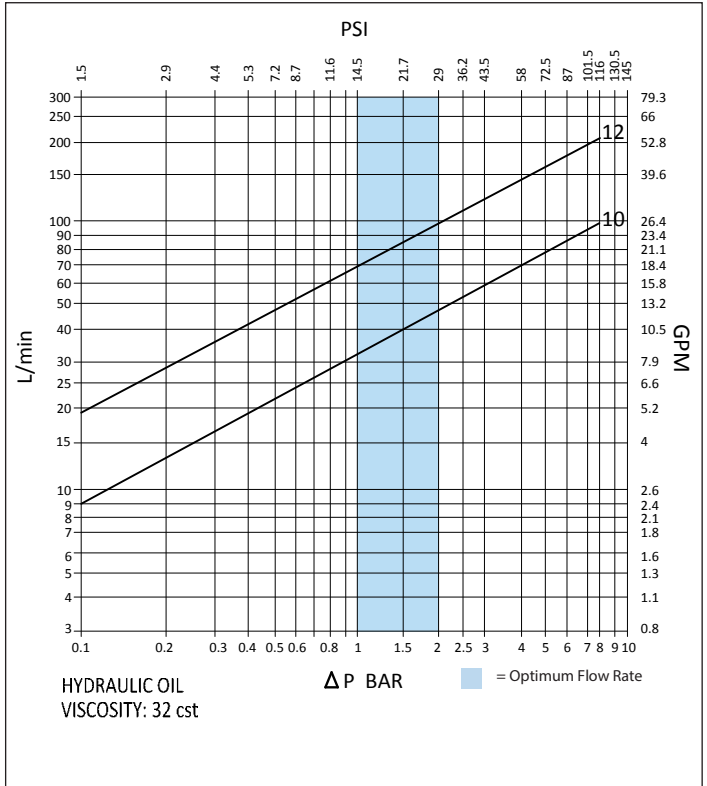
ORDER CODES



DRAWING



PRESSURE DROP CHARACTERISTICS



SPECIALIST COUPLERS

DIMENSIONS

Size	Thread Size (A)	B	C	D	E	Maximum Working Pressure	Burst Pressure (Coupled)	Burst Pressure (Male)	Burst Pressure (Female)
		Dimensions in mm				Bar			
		Dimensions in Inches				Psi			
MP 10-4	1/2"	104	105	139	141	350	1500	1050	1100
		4.1	4.1	5.5	5.6	5075	21750	15225	15950
MP 10-6	1/2"	142	105	139	141	350	1500	1050	1100
		5.6	4.1	5.5	5.6	5075	21750	15225	15950
MP 12-2	3/4"	106	105	144	143	350	1200	1000	1050
		4.2	4.1	5.7	5.6	5075	17400	14500	15225
MP 12-4	3/4"	117	105	144	143	350	1200	1000	1050
		4.6	4.1	5.7	5.6	5075	17400	14500	15225
MP 12-6	3/4"	161	105	144	143	350	1200	1000	1050
		6.4	4.1	5.7	5.6	5075	17400	14500	15225

Note: Measurements D and E based on Linked Handle

PSI= Bar x14.5 Inches= mm/25.4

