

SR90 SERIES

Stainless steel 90 degree rotary couplers

INTRODUCTION

Holmbury's SR90 Series stainless steel 90 degree rotary couplers are designed for use on hydraulics lines that may be subject to torsional stress to allow rotation of hydraulic pipes and hoses. Using a rotary coupler in the hydraulic line stops the hose twisting, limiting stress and increasing hose lifespan.

CONSTRUCTION

- AISI 316 stainless steel
- Fitted with Viton seals
- Also available in carbon steel (See GG90 Series)

FEATURES

- Reduces torsional forces
- Can also be used in applications that are required to rotate but not under pressure, such as hose reels
- Spindle is carried on a roller bearing and has a low friction shaft seal that can rotate at maximum pressure with low torque
- For rotational torque graph please see GG90 Series



SPECIFICATIONS

- Operating temperatures (With Viton seals): -20°C (-4°F) to 200°C (392°F)

APPLICATIONS

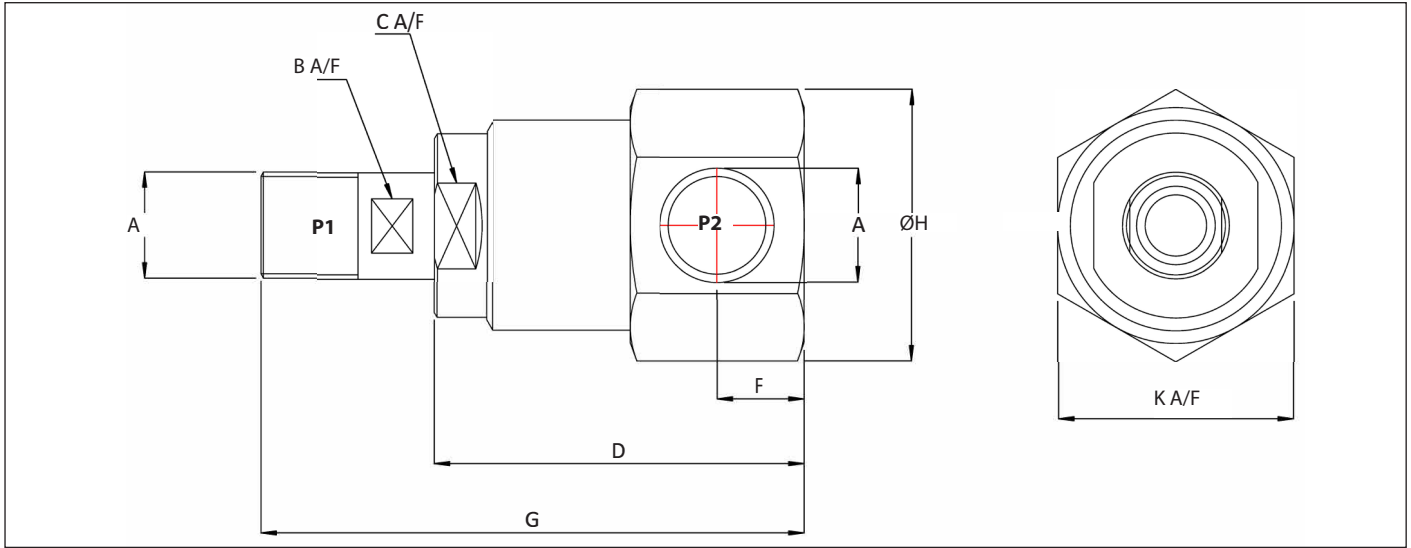
- Designed for usage in general hydraulic systems, machine tools, test equipment, agricultural, and mobile hydraulics

ORDER CODES

		SR90 - 19 - 12		G	M - 12		G		
Series		SR90			Thread Type (Female Only)				
					G = BSPP				
					N = NPT				
					S = SAE				
Body Size					Thread Type (Male Only)			Thread Size (P2)	
06 - 1/4"	25 - 1"							04 - 1/4"	16 - 1"
10 - 3/8"	32 - 1 1/4"							06 - 3/8"	20 - 1 1/4"
12 - 1/2"	40 - 1 1/2"							08 - 1/2"	24 - 1 1/2"
19 - 3/4"	50 - 2"							12 - 3/4"	32 - 2"
		Thread Size (P1)		Thread Type					
		04 - 1/4"	16 - 1"	G = BSPP	S = SAE				
		06 - 3/8"	20 - 1 1/4"	N = NPT	J = JIC				
		08 - 1/2"	24 - 1 1/2"						
		12 - 3/4"	32 - 2"						



DRAWING



DIMENSIONS

Size	Thread Size (A)	B	C	K	D	F	G	ØH	Maximum Working Pressure	Maximum Flow Rate	Maximum Rotational Speed*
		Dimensions in mm							Bar	L/Min	RPM
		Dimensions in Inches							Psi		
SR90-06	1/4"	11.0	21.0	32.0	52.0	12.5	78.0	35.0	350	25	500
		0.4	0.8	1.3	2.0	0.5	3.1	1.4	5075		
SR90-10	3/8"	14.0	27.0	36.0	68.0	15.0	98.0	42.0	300	45	400
		0.6	1.1	1.4	2.7	0.6	3.9	1.7	4350		
SR90-12	1/2"	18.0	32.0	46.0	72.0	16.0	106.0	48.0	300	80	370
		0.7	1.3	1.8	2.8	0.6	4.2	1.9	4350		
SR90-19	3/4"	24.0	37.0	50.0	80.5	19.0	118.0	57.0	250	120	280
		0.9	1.5	2.0	3.2	0.7	4.6	2.2	3625		
SR90-25	1"	30.0	46.0	60.0	99.0	22.5	142.0	68.0	250	150	230
		1.2	1.8	2.4	3.9	0.9	5.6	2.7	3625		
SR90-32	1 1/4"	38.0	55.0	60.0	111.0	29.5	155.0	---	200	200	200
		1.5	2.2	2.4	4.4	1.2	6.1	---	2900		
SR90-40	1 1/2"	41.0	70.0	75.0	121.0	37.0	170.0	---	150	250	170
		1.6	2.8	3.0	4.8	1.5	6.7	---	2175		
SR90-50	2"	55.0	80.0	90.0	142.0	44.5	190.0	---	150	300	140
		2.2	3.1	3.5	5.6	1.8	7.5	---	2175		

*Note: The maximum rotational speed quoted is for zero pressure and hydraulic oils

PSI= Bar x14.5 Inches= mm/25.4

