

IBB SERIES

Brass ISO B couplers made to the ISO 7241:2014 Series B Standard dimensions

INTRODUCTION

Holmbury's IBB Series brass ISO B couplers incorporate all the benefits of the carbon steel IB Series couplers while providing good corrosion resistance for specific applications.

CONSTRUCTION

- Brass body
- AISI 316 spring and AISI 302 locking ball
- Fitted with Viton seals
- Also available in carbon steel (See IB Series)
- Also available in AISI 316 stainless steel (See IBS Series)

FEATURES

- Poppet valves have balanced springs
- Locking ball system allows quick connection
- Bidirectional flow

ACCESSORIES

- Dust Caps, Plugs and Seal Kits are available for the IBB Series



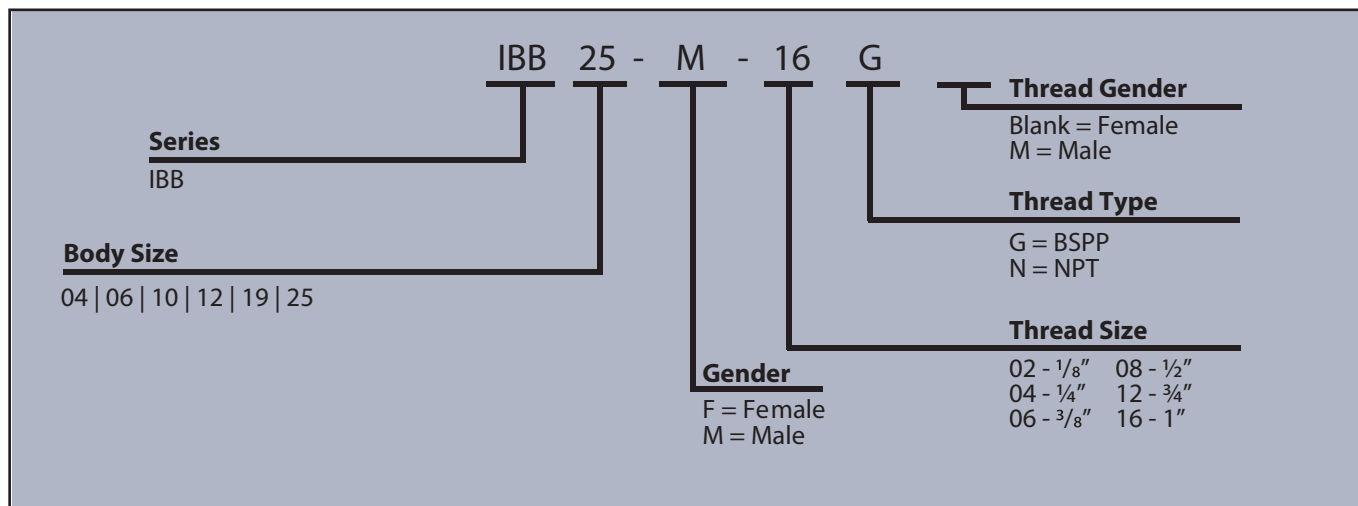
SPECIFICATIONS

- Operating temperatures (With Viton seals): -20°C (-4°F) to 200°C (392°F)

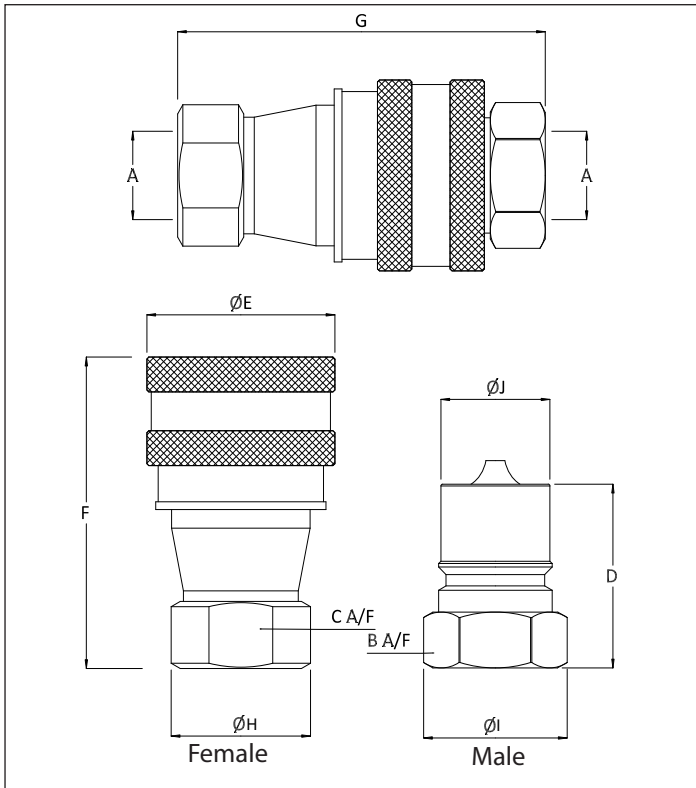
APPLICATIONS

- Cooling systems
- Marine
- Oil and gas
- Chemical
- Pharmaceutical

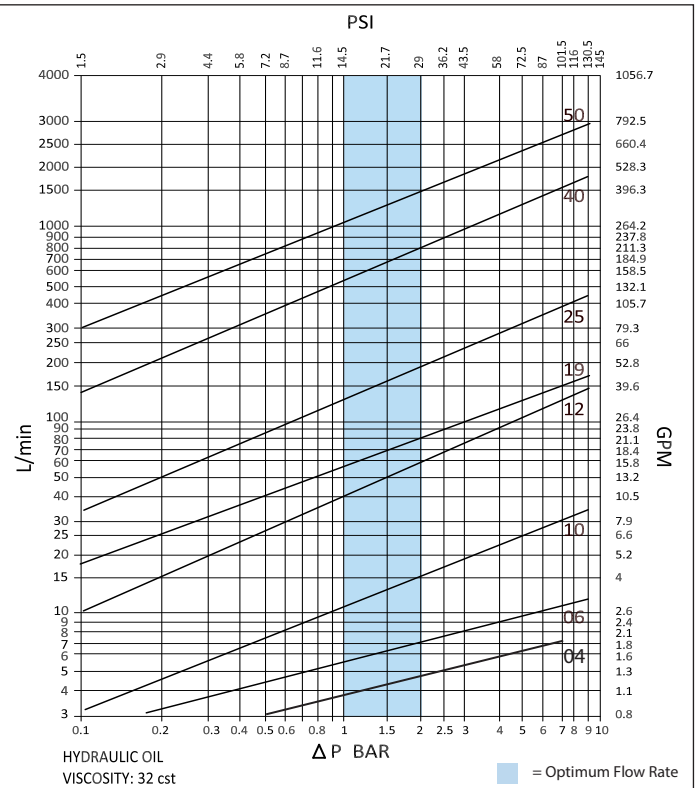
ORDER CODES



DRAWING



PRESSURE DROP CHARACTERISTICS



DIMENSIONS

Size	Thread Size (A)*	B	C	D	ØE	F	G	ØH	ØI	ØJ	Maximum Working Pressure	Burst Pressure (Coupled)	Burst Pressure (Male)	Burst Pressure (Female)
Dimensions in mm											Bar			
Dimensions in Inches											PSI			
IBB 04	1/8"	14.0	14.0	29.0	24.0	48.0	58.4	16.0	18.0	11.0	210	735	685	735
		0.6	0.6	1.1	0.9	1.9	2.3	0.6	0.7	0.4	3045	10657.5	9932.5	10657.5
IBB 06	1/4"	17.0	19.0	36.0	27.1	58.1	72.4	19.3	22.0	14.0	210	735	685	735
		0.7	0.7	1.4	1.1	2.3	2.9	0.8	0.9	0.6	3045	10657.5	9932.5	10657.5
IBB 10	3/8"	22.0	22.0	40.0	35.0	64.8	80.4	25.0	25.0	19.0	180	630	580	630
		0.9	0.9	1.6	1.4	2.6	3.2	1.0	1.0	0.7	2610	9135	8410	9135
IBB 12	1/2"	27.0	27.0	46.6	45.0	73.0	92.0	31.5	35.0	23.5	180	630	580	630
		1.1	1.1	1.8	1.8	2.9	3.6	1.2	1.4	0.9	2610	9135	8410	9135
IBB 19	3/4"	36.0	36.0	52.0	54.1	88.4	105.5	41.3	40.0	31.5	140	490	440	490
		1.4	1.4	2.0	2.1	3.5	4.2	1.6	1.6	1.2	2030	7105	6380	7105
IBB 25	1"	41.0	41.0	62.0	64.5	102.0	125.0	47.0	48.0	38.0	140	490	440	490
		1.6	1.6	2.4	2.5	4.0	4.9	1.9	1.9	1.5	2030	7105	6380	7105

*Dimensions based on BSPP threads

PSI= Bar x14.5 Inches= mm/25.4

