

KM 115/116 SERIES

High pressure poppet valve couplers

INTRODUCTION

Holmbury's KM 115/116 Series high pressure poppet valve couplers are primarily used in bolt tensioners and other high pressure applications. The KM 116 can withstand a higher maximum working pressure than the KM 115.

CONSTRUCTION

- KM 115- Carbon steel with grey zinc nickel plating (1200 hours with no red rust in salt spray tests)
- KM 116- Carbon steel with black zinc nickel plating (1200 hours with no red rust in salt spray tests)
- Available in size 02 body with 1/4" NPT or BSP threads
- Fitted with Nitrile seals

FEATURES

- 1000 bar maximum working pressure (KM 115), 1500 bar maximum working pressure (KM 116)
- Poppet valve design
- Locking ball system allows quick connection
- Bidirectional flow

ACCESSORIES

- Dust Caps and Plugs are available for the KM Series



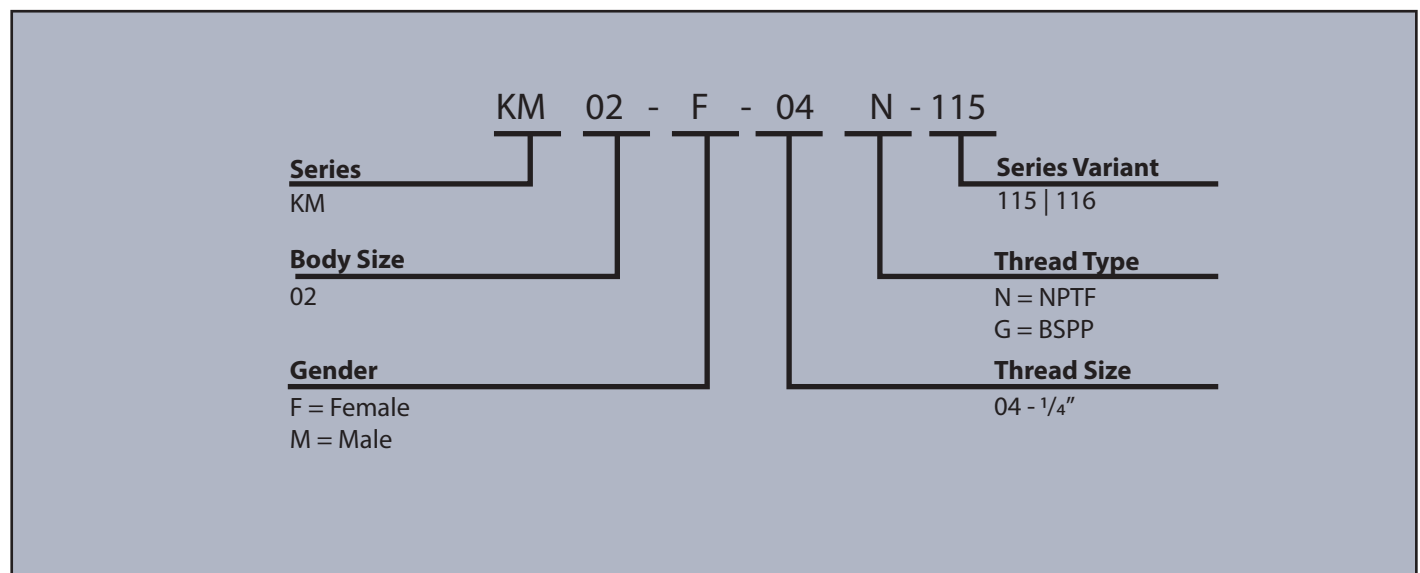
SPECIFICATIONS

- Operating temperatures (With Nitrile seals): -40°C (-40°F) to 106°C (223°F)

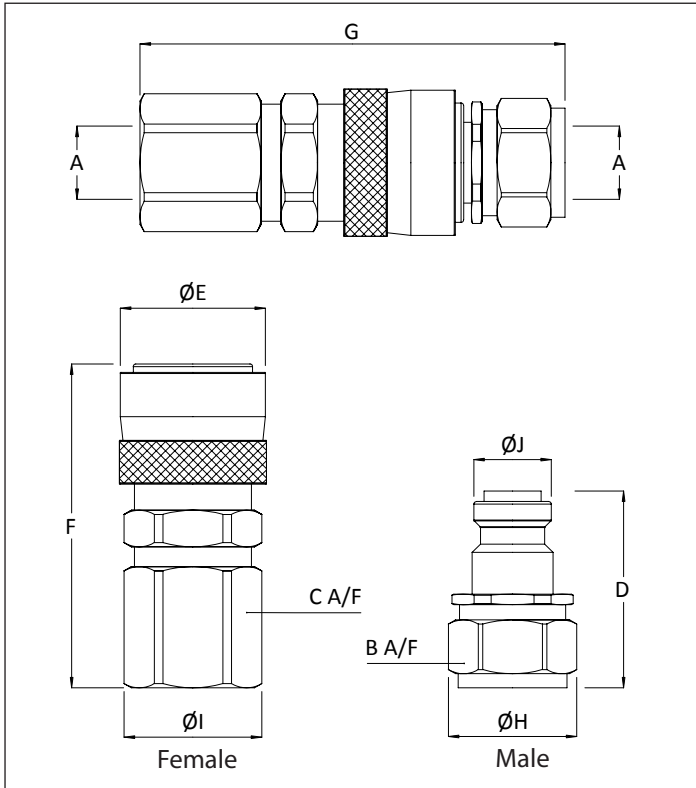
APPLICATIONS

- Bolt tensioners
- Hydraulic jacks
- Hydraulic hammers
- Other high pressure applications

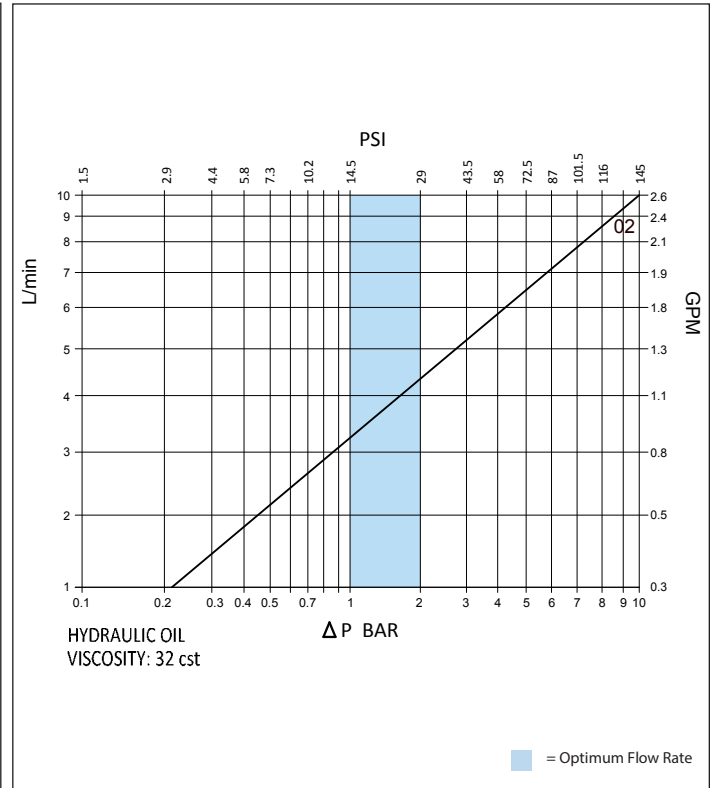
ORDER CODES



DRAWING



PRESSURE DROP CHARACTERISTICS



DIMENSIONS

| Size | Thread Size (A) | B | C | D | ØE | F | G | ØH | ØI | ØJ | Maximum Working Pressure | Burst Pressure (Coupled) | Burst Pressure (Male) | Burst Pressure (Female) |
|-----------|-----------------|----------------------|------|------|------|------|------|------|------|------|--------------------------|--------------------------|-----------------------|-------------------------|
| | | Dimensions in mm | | | | | | | | | Bar | | | |
| | | Dimensions in Inches | | | | | | | | | Psi | | | |
| KM 02-115 | 1/4" | 21.8 | 23.8 | 38.1 | 27.8 | 61.5 | 81.4 | 24.7 | 26.4 | 14.8 | 1000 | 2500 | 2500 | 2400 |
| | | 0.9 | 0.9 | 1.5 | 1.1 | 2.4 | 3.2 | 1.0 | 1.0 | 0.6 | 14500 | 36250 | 36250 | 34800 |
| KM 02-116 | 1/4" | 21.8 | 23.8 | 38.1 | 27.8 | 61.5 | 81.4 | 24.7 | 26.4 | 14.8 | 1500 | 3000 | 3000 | 2900 |
| | | 0.9 | 0.9 | 1.5 | 1.1 | 2.4 | 3.2 | 1.0 | 1.0 | 0.6 | 21750 | 43500 | 43500 | 42050 |

PSI= Bar x14.5 Inches= mm/25.4

WARNING

Hydraulic couplers operating at high pressures pose a significant risk to personal safety. Please refer to our Safety Guidelines for more information.