

PLC SERIES

Screw connect and pull break couplers

INTRODUCTION

Holmbury's PLC Series screw connect couplers allow for connection under pressure and are ideal choice for snow removal applications with high pressure pulses.

CONSTRUCTION

- Carbon steel with trivalent plating
- Fitted with Nitrile seals

FEATURES

- Screw connection only possible with both halves of PLC Series
- Screw connect design eliminates brinelling
- Can be connected with residual pressure in the system
- Bidirectional flow

ACCESSORIES

- Dust Caps and Plugs are available for the PLC Series



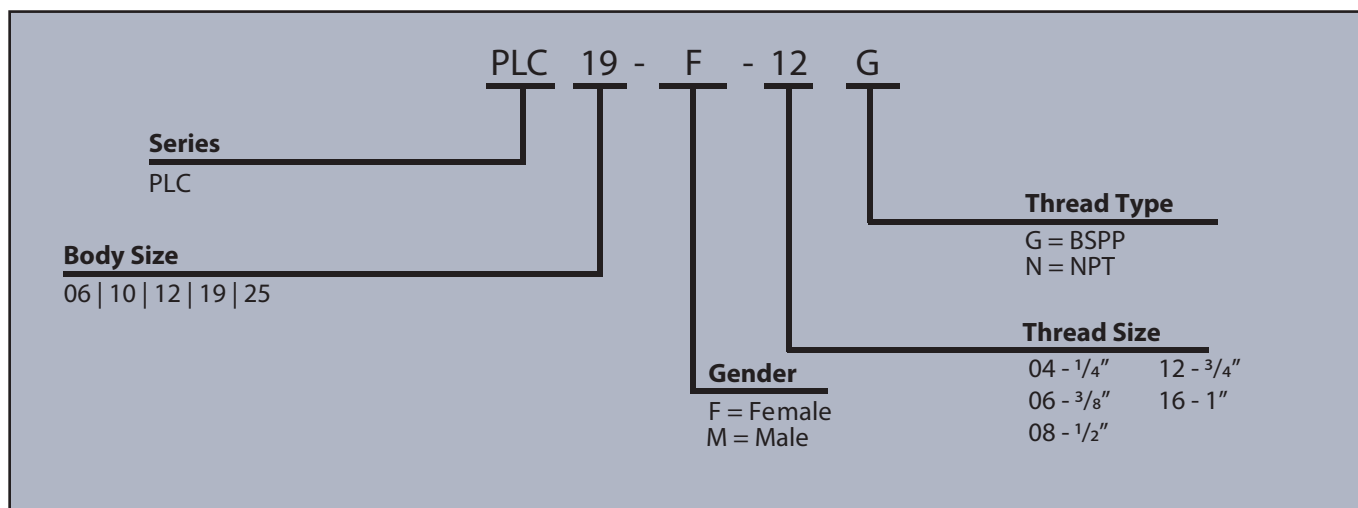
SPECIFICATIONS

- Operating temperatures (with Nitrile seals): -40°C (-40°F) to 106°C (223°F)

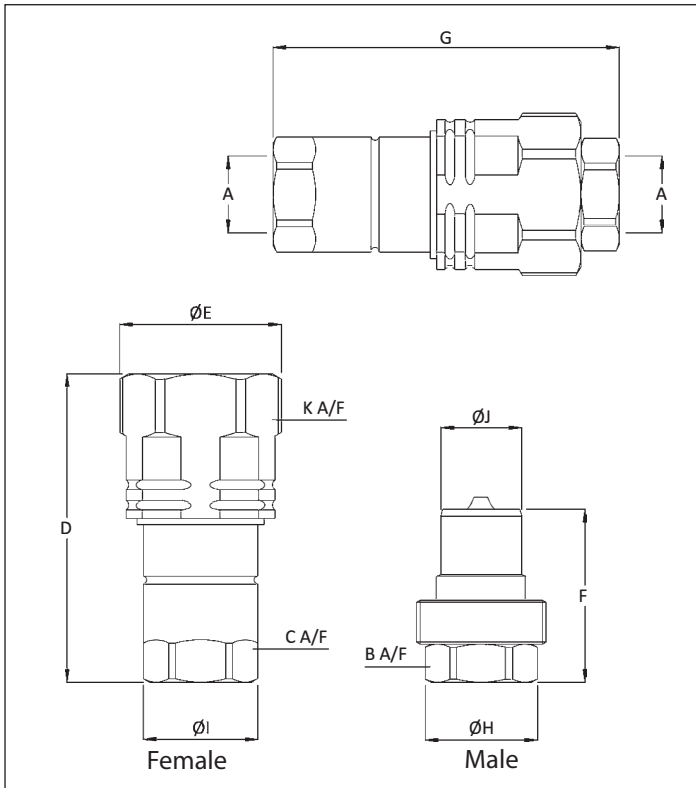
APPLICATIONS

- Snow removal
- Agricultural
- General industrial
- Mobile equipment

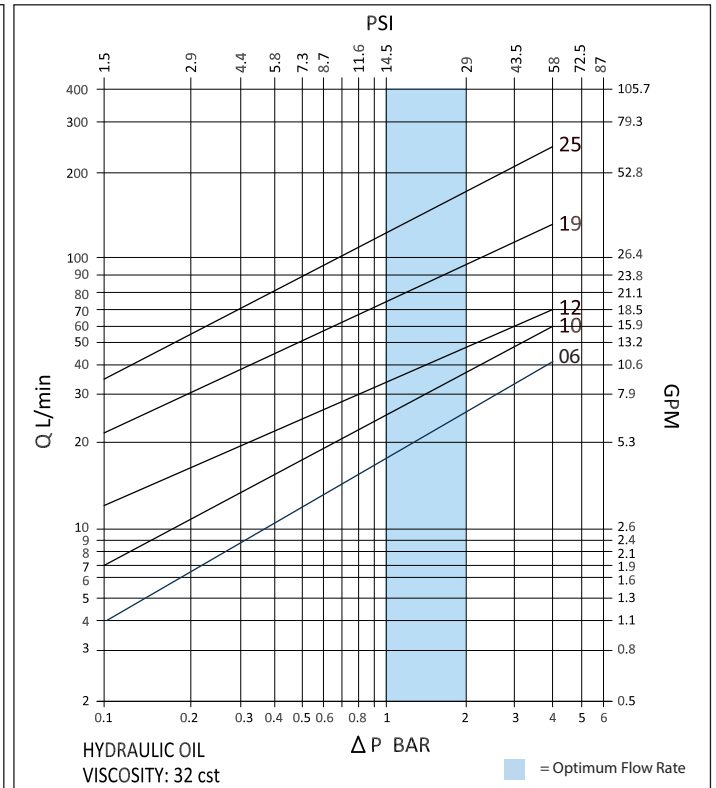
ORDER CODES



DRAWING



PRESSURE DROP CHARACTERISTICS



GENERAL PURPOSE COUPLERS

DIMENSIONS

| Size | Thread Size (A)* | B | C | K | D | ØE | F | G | ØH | ØI | ØJ | Maximum Working Pressure | Burst Pressure (Coupled) | Burst Pressure (Male) | Burst Pressure (Female) |
|----------------------|------------------|------|------|------|-------|------|------|-------|------|------|------|--------------------------|--------------------------|-----------------------|-------------------------|
| | | | | | | | | | | | | | | | |
| Dimensions in Inches | | | | | | | | | | | | Psi | | | |
| PLC 06 | 1/4" | 19.0 | 19.0 | 27.0 | 50.0 | 30.0 | 33.0 | 66.0 | 22.0 | 22.0 | 14.2 | 300 | 1600 | 1600 | 1550 |
| | | 0.7 | 0.7 | 1.1 | 2.0 | 1.2 | 1.3 | 2.6 | 0.9 | 0.9 | 0.6 | 4350 | 23200 | 23200 | 22475 |
| PLC 10 | 3/8" | 24.0 | 24.0 | 34.0 | 72.0 | 38.0 | 40.5 | 83.0 | 27.0 | 27.0 | 19.0 | 300 | 1600 | 1600 | 1550 |
| | | 0.9 | 0.9 | 1.3 | 2.8 | 1.5 | 1.6 | 3.3 | 1.1 | 1.1 | 0.7 | 4350 | 23200 | 23200 | 22475 |
| PLC 12 | 1/2" | 27.0 | 27.0 | 38.2 | 82.0 | 42.0 | 49.0 | 95.8 | 30.0 | 30.0 | 20.5 | 300 | 1600 | 1550 | 1500 |
| | | 1.1 | 1.1 | 1.5 | 3.2 | 1.7 | 1.9 | 3.8 | 1.2 | 1.2 | 0.8 | 4350 | 23200 | 22475 | 21750 |
| PLC 19 | 3/4" | 34.0 | 34.0 | 50.0 | 108.0 | 55.0 | 62.0 | 126.0 | 38.0 | 38.0 | 28.0 | 280 | 1300 | 1300 | 1300 |
| | | 1.3 | 1.3 | 2.0 | 4.3 | 2.2 | 2.4 | 5.0 | 1.5 | 1.5 | 1.1 | 4060 | 18850 | 18850 | 18850 |
| PLC 25 | 1" | 41.0 | 41.0 | 55.0 | 124.0 | 61.0 | 73.0 | 144.5 | 45.5 | 44.0 | 31.5 | 250 | 1200 | 1200 | 1100 |
| | | 1.6 | 1.6 | 2.2 | 4.9 | 2.4 | 2.9 | 5.7 | 1.8 | 1.7 | 1.2 | 3625 | 17400 | 17400 | 15950 |

*Dimensions based on BSPP threads

PSI= Bar x14.5 Inches= mm/25.4

