

IA SERIES

ISO A couplings made to the ISO 7241:2014 Series A Standard

INTRODUCTION

Holmbury's IA Series ISO A couplings are the ideal choice where a tough, durable product of superior quality is required. They are perfectly suited to agricultural and industrial applications.

CONSTRUCTION

- Carbon steel with trivalent plating (Zinc nickel plating available)
- Fitted with Nitrile seals (Viton seals available)
- Also available in AISI 316 stainless steel (See IAS Series)
- Also available in Ford style

FEATURES

- Optional zinc nickel plating provides corrosion resistance (1200 hours with no red rust in salt spray tests)
- Poppet valves have balanced springs
- Locking ball system allows quick connection
- Bidirectional flow

ACCESSORIES

- Dust Caps, Plugs, Parking Stations and Seal Kits are available for the IA Series



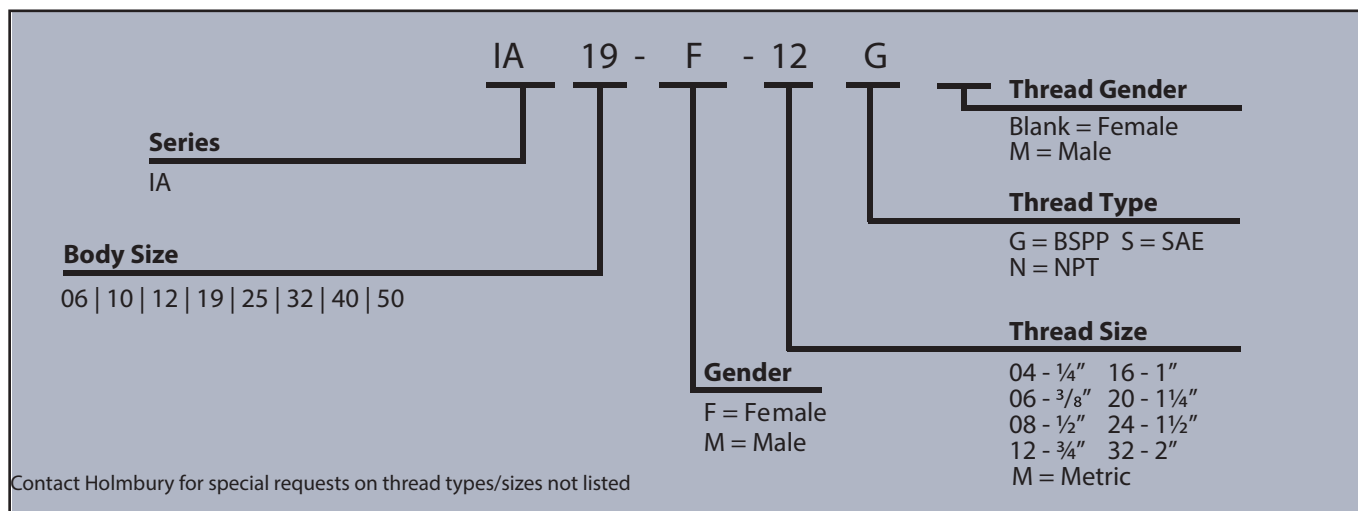
SPECIFICATIONS

- Operating temperatures (with Nitrile seals): -40°C (-40°F) to 106°C (223°F), (with Viton seals): -20°C (-4°F) to 200°C (392°F)

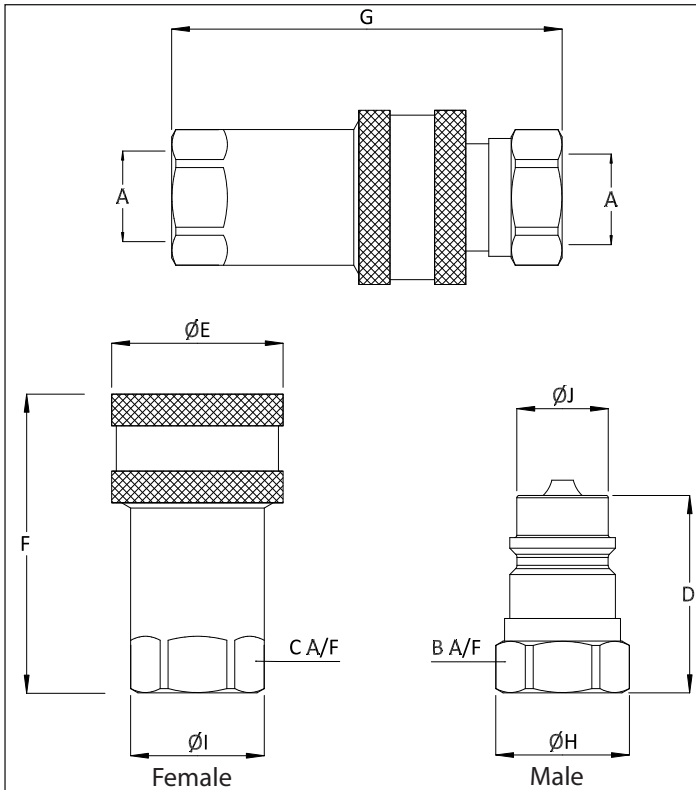
APPLICATIONS

- Agricultural
- Mobile
- Construction

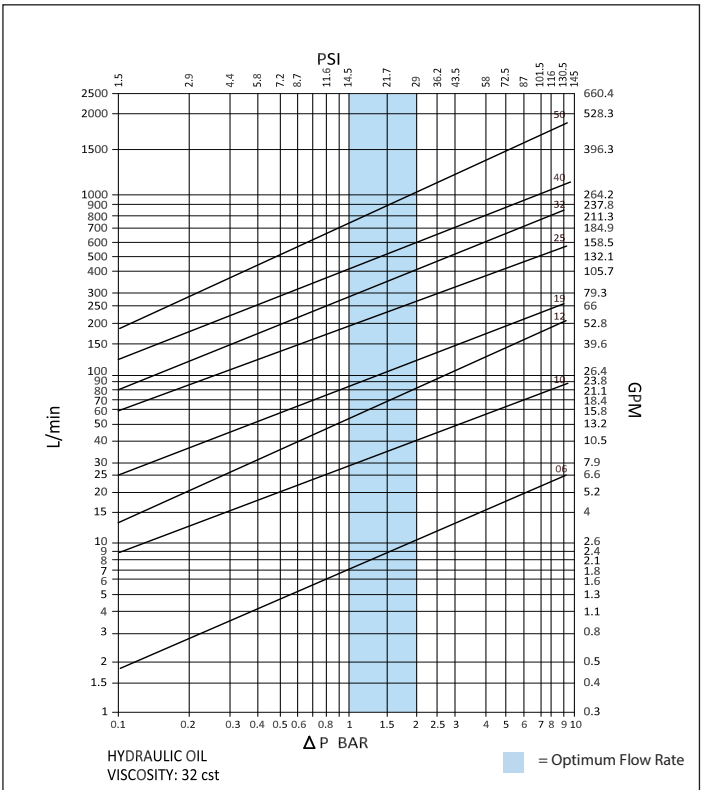
ORDER CODES



DRAWING



PRESSURE DROP CHARACTERISTICS



DIMENSIONS

Size	Thread Size (A)	B	C	D	ØE	F	G	ØH	ØI	ØJ	Maximum Working Pressure	Burst Pressure (Coupled)	Burst Pressure (Male)	Burst Pressure (Female)
		Dimensions in mm									Bar			
		Dimensions in Inches									Psi			
IA 06	1/4"	19	19	35.5	26	49.5	71	21	21	11.8	400	2200	1900	1800
		0.7	0.7	1.4	1.0	1.9	2.8	0.8	0.8	0.5	5800	31900	27550	26100
IA 10	3/8"	22	22	36.5	31.5	56	75	24	24	17.2	350	1800	1700	1600
		0.9	0.9	1.4	1.2	2.2	3.0	0.9	0.9	0.7	5075	26100	24650	23200
IA 12	1/2"	27	27	43.5	38.5	66	88	30	30	20.5	320	1500	1500	1400
		1.1	1.1	1.7	1.5	2.6	3.5	1.2	1.2	0.8	4640	21750	21750	20300
IA 19	3/4"	35	35	57	47	80	111	38	38	29	300	1300	1300	1200
		1.4	1.4	2.2	1.9	3.1	4.4	1.5	1.5	1.1	4350	18850	18850	17400
IA 25	1"	41	41	60	55.5	94	120	44.5	44.5	34.2	250	1200	1100	1000
		1.6	1.6	2.4	2.2	3.7	4.7	1.8	1.8	1.3	3625	17400	15950	14500
IA32	1 1/4"	50	50	75	69	117	150	56	56	45	250	1200	1200	1150
		2.0	2.0	3.0	2.7	4.6	5.9	2.2	2.2	1.8	3625	17400	17400	16675
IA 40	1 1/2"	60	60	83.5	84	131	168.5	63	66	55	230	1000	1000	900
		2.4	2.4	3.3	3.3	5.2	6.6	2.5	2.6	2.2	3335	14500	14500	13050
IA 50	2"	75	75	105	99	165	211.5	83	83	65	170	800	800	750
		3.0	3.0	4.1	3.9	6.5	8.3	3.3	3.3	2.6	2465	11600	11600	10875

PSI= Bar x1.45 Inches= mm/25.4

