

BVS 2 SERIES

Stainless steel two way high pressure ball valves

INTRODUCTION

Holmbury's BVS 2 Series two way stainless steel, high pressure ball valves are designed to suit a wide range of applications. These valves should not be used as flow control valves and should therefore always be fully open or closed.

CONSTRUCTION

- AISI 316 stainless steel
- Fitted with Viton seals
- Also available in carbon steel (See BVC 2 Series)
- Metric and flanged available on request)

FEATURES

- Floating ball design maximizes sealing
- Full bore valves provide unrestricted flow path for negligible pressure drop
- Open to close in 1/4 turn
- Cranked handle allows clearance for easy operation

ACCESSORIES

- Valve Locking Kits and Valve Handles are available for the BVS 2 Series



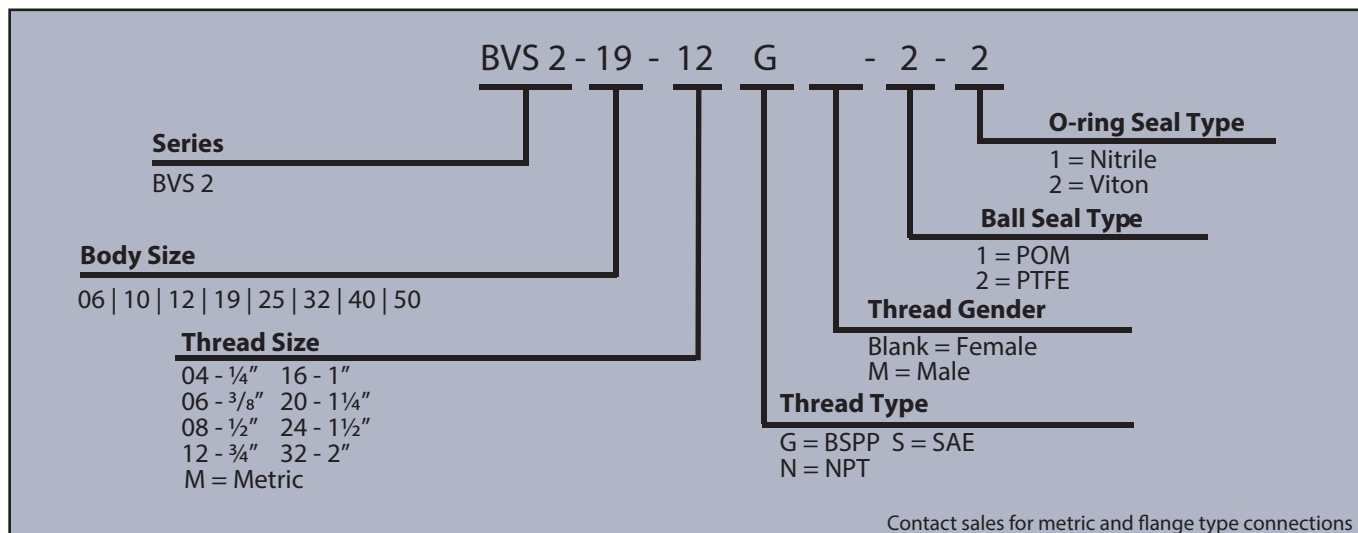
SPECIFICATIONS

- Operating temperatures (With Viton seals): -20°C (-4°F) to 200°C (392°F)

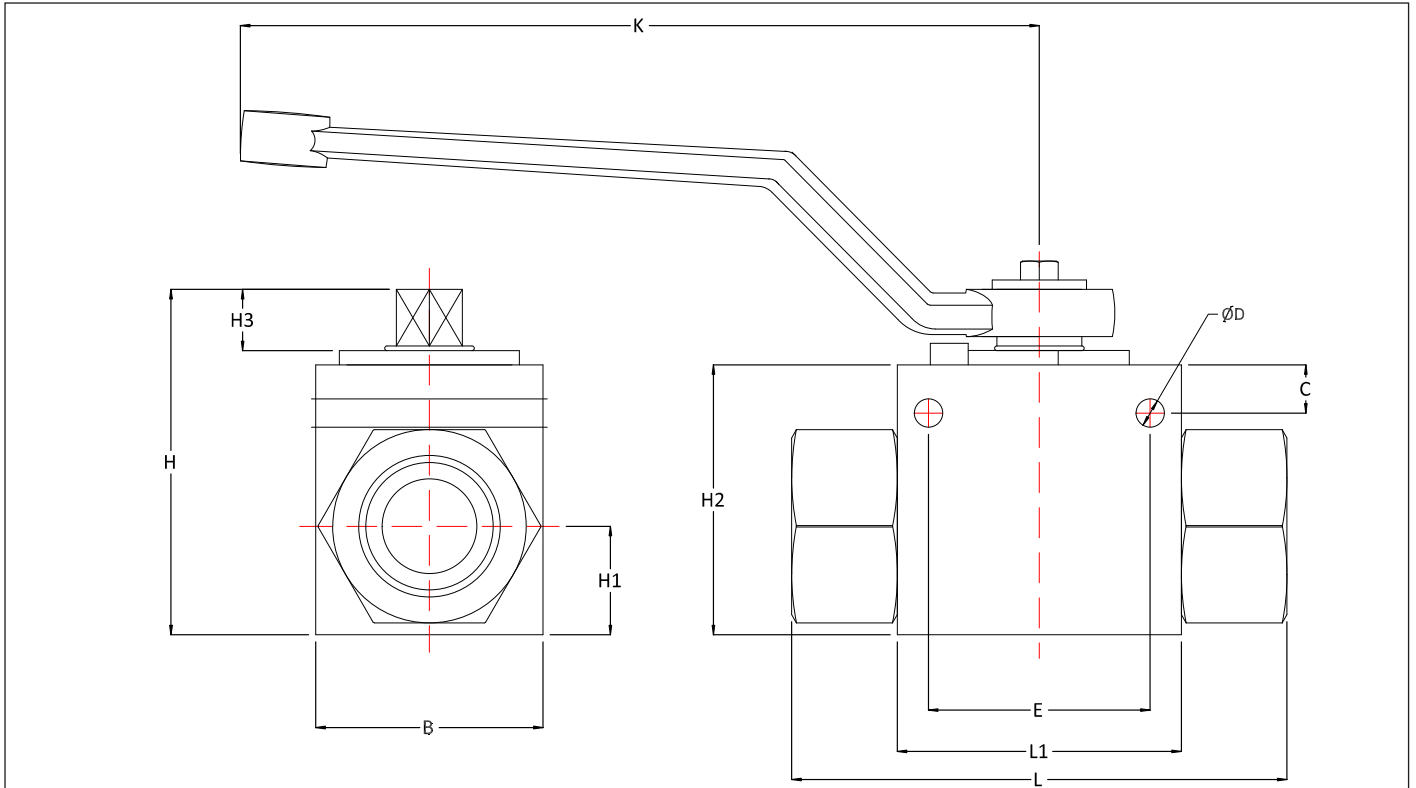
APPLICATIONS

- Designed for usage in marine, oil & gas, nuclear, pharmaceutical, power generation and offshore industries

ORDER CODES



DRAWING



DIMENSIONS

Size	Thread Size (A)*	Dimensions in mm											Maximum Working Pressure	Burst Pressure
		B	C	ØD	E	G	H	H1	H2	H3	L	L1	Bar	Psi
BVS2 06	1/4"	28.2	5	4.5	26.2	107	44.3	12.7	32.3	8.5	69	36.8	500	2000
		1.1	0.2	0.2	1.0	4.2	1.7	0.5	1.3	0.3	2.7	1.4	7250	29000
BVS2 10	3/8"	32.2	5	6.7	32.5	107	52	17	40.2	8.5	72	42.2	500	2000
		1.3	0.2	0.3	1.3	4.2	2.0	0.7	1.6	0.3	2.8	1.7	7250	29000
BVS2 12	1/2"	35.2	5.2	6.4	37.7	107	52	18	40.2	8.5	83.3	48	500	2000
		1.4	0.2	0.3	1.5	4.2	2.0	0.7	1.6	0.3	3.3	1.9	7250	29000
BVS2 19	3/4"	48.2	6.8	7	45	170	74.7	25	57.1	14	95	60	315	1260
		1.9	0.3	0.3	1.8	6.7	2.9	1.0	2.2	0.6	3.7	2.4	4568	18270
BVS2 25	1"	57.1	6	6.8	54.5	170	81.8	29	64.8	14	112.8	65	315	1260
		2.2	0.2	0.3	2.1	6.7	3.2	1.1	2.6	0.6	4.4	2.6	4568	18270
BVS2 32	1 1/4"	75.2	9.2	10.7	67.5	234	103.6	37.7	84	16	110	84	315	1260
		3.0	0.4	0.4	2.7	9.2	4.1	1.5	3.3	0.6	4.3	3.3	4568	18270
BVS2 40	1 1/2"	85.2				234	115.2	42.5	95.3	16	129.7	91	315	1260
		3.4				9.2	4.5	1.7	3.8	0.6	5.1	3.6	4568	18270
BVS2 50	2"	105				234	132.7	52.5	112.5	16	140.3	100	315	1260
		4.1				9.2	5.2	2.1	4.4	0.6	5.5	3.9	4568	18270

*Dimensions based on BSPP threads

PSI= Bar x14.5 Inches= mm/25.4

