

FFC SERIES

Replacement cartridge couplers for the Faster 4BD4FH/4BD4FI

INTRODUCTION

Holmbury's FFC Series is a replacement flat face cartridge coupler for the Faster 4BD4FH and 4BD4FI blocks. The FFC Series is designed for the quick changeover of hydraulic attachments for skid steer loaders, compact loaders, backhoe loaders and compact utility vehicles. The female coupler features an internal decompression solution (*Patent pending*) that enables the coupler to always be depressurized when disconnected, whilst the male coupler has built-in connect under pressure functionality.

CONSTRUCTION

- Couplers are carbon steel with zinc nickel plating (1200 hours with no red rust in salt spray tests)
- Currently available in size 12 body
- Fitted with Nitrile seals

FEATURES

- Internal design allows the female half to always be depressurized when disconnected
- Male has built-in connect under pressure functionality
- Couplers are flat face and are designed to the ISO 16028 Standard
- Low profile coupler design minimizes side loading
- Low cost replacement couplers



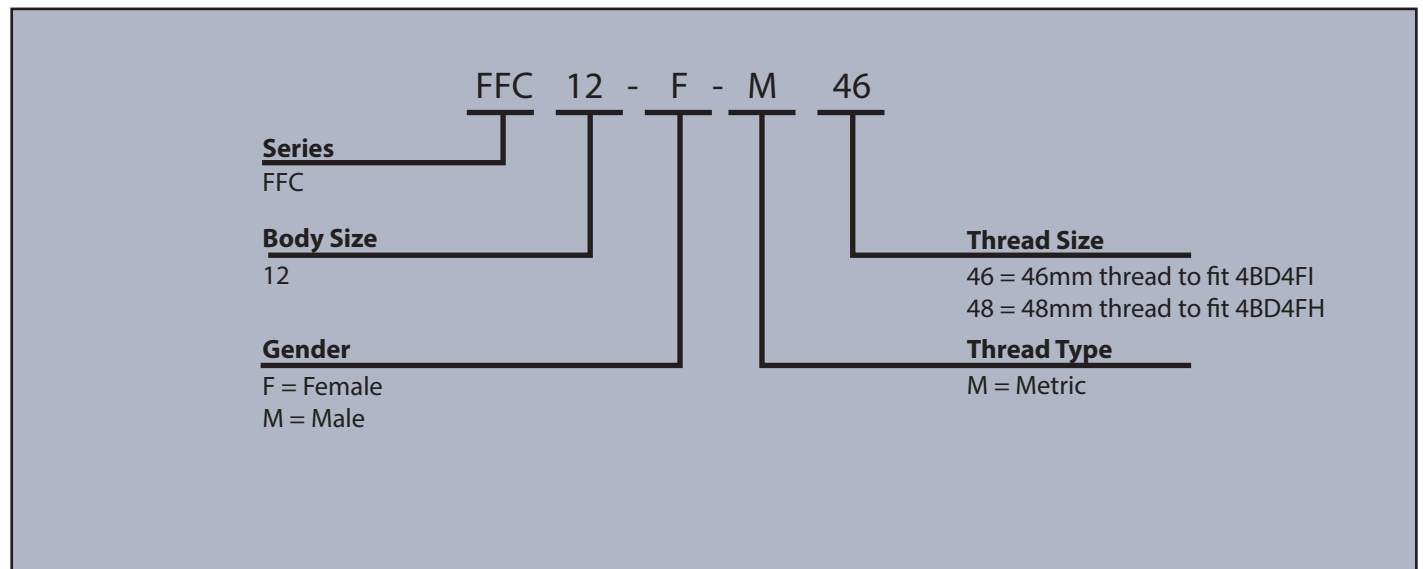
SPECIFICATIONS

- Operating temperatures (With Nitrile seals): -40°C (-40°F) to 106°C (223°F)
- Maximum working pressure 350 bar

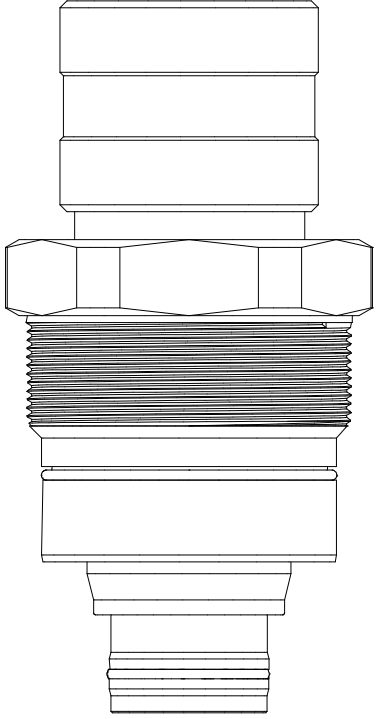
APPLICATIONS

- Quick changeover of construction equipment attachments
- Skid steer loaders
- Track loaders
- Excavators
- Compact loaders
- Utility vehicles

ORDER CODES



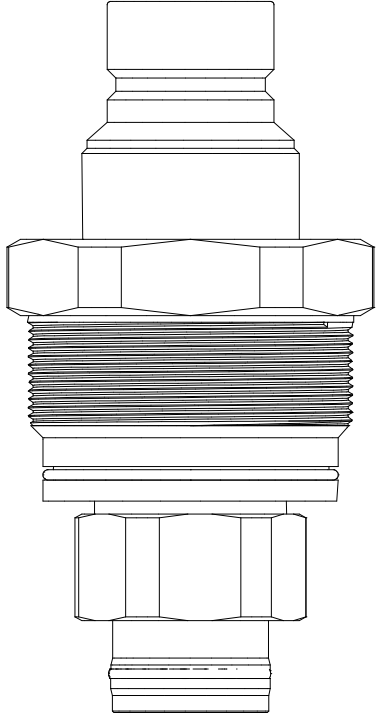
DRAWING



PATENT PENDING

| Size | Maximum Working Pressure | Burst Pressure (Coupled) | Burst Pressure (Male) | Burst Pressure (Female) |
|--------|--------------------------|--------------------------|-----------------------|-------------------------|
| FFC 12 | Bar | | | |
| | Psi | | | |
| | 350 | 1250 | 1250 | 1250 |
| | 5075 | 18125 | 18125 | 18125 |

PSI= Bar x14.5



Female
Male

PRESSURE DROP CHARACTERISTICS

