

# SHS SERIES

Stainless steel general purpose screw connect couplers made to the ISO 14541 Standard dimensions

## INTRODUCTION

Holmbury's SHS Series stainless steel screw connect couplers are designed primarily for high pressure pulse applications. They incorporate all the benefits of the carbon steel HS Series, while being perfectly suited for corrosive fluids and environments.

## CONSTRUCTION

- AISI 316 stainless steel (All components)
- Fitted with Viton seals (Other seals available on request)
- Also available in carbon steel (See HS Series)

## FEATURES

- Can be connected with 50 bar residual pressure in the hydraulic circuit
- Bidirectional flow

## ACCESSORIES

- Dust Caps and Plugs are available for the SHS Series



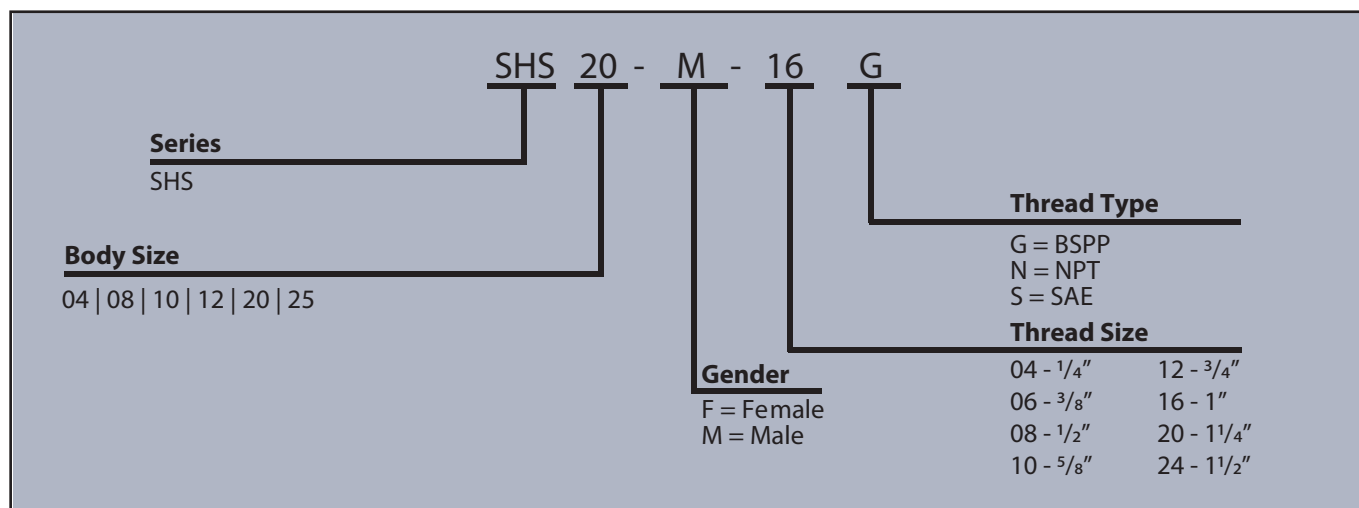
## SPECIFICATIONS

- Operating temperatures (With Viton seals): -20°C (-4°F) to 200°C (392°F)

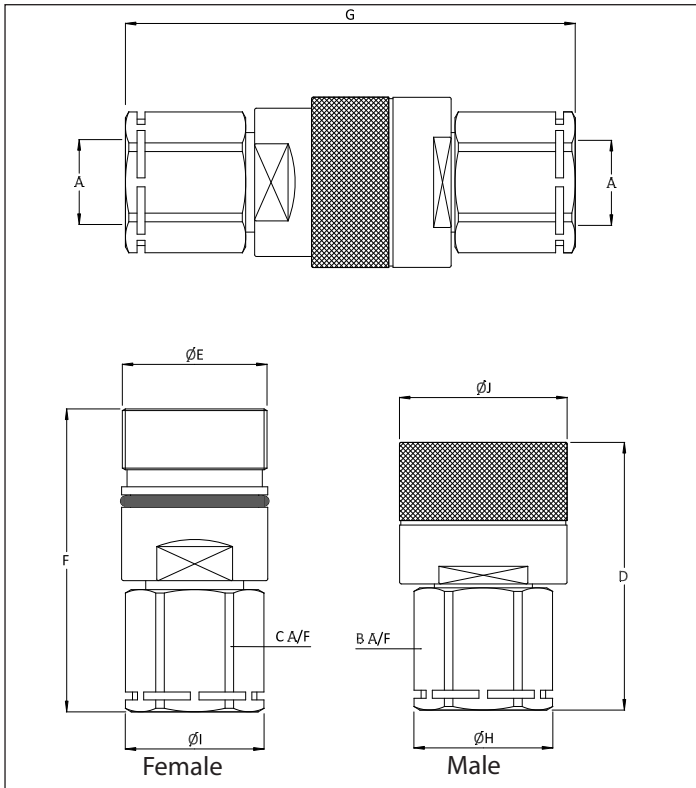
## APPLICATIONS

- Hydraulic jacks
- Marine
- Oil and gas

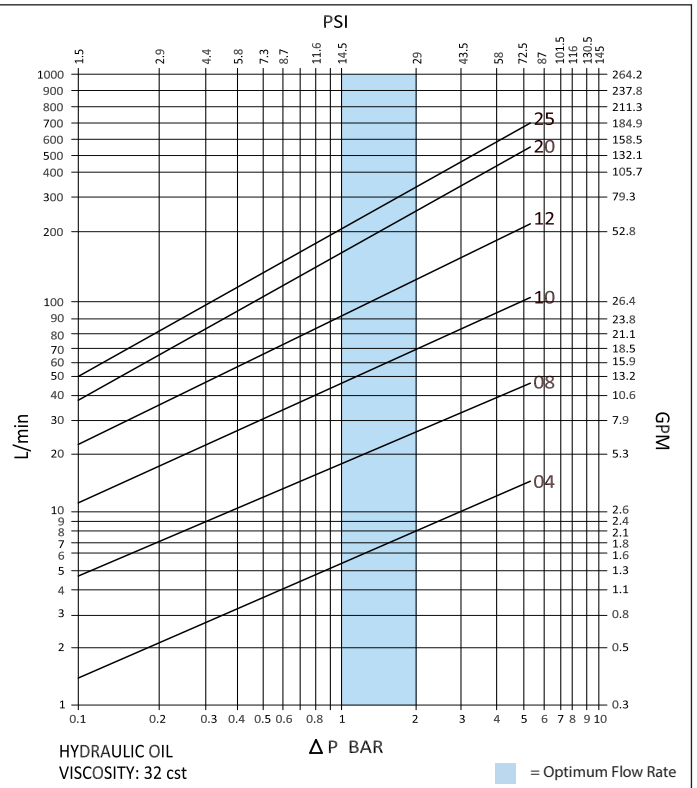
## ORDER CODES



## DRAWING



## PRESSURE DROP CHARACTERISTICS



## DIMENSIONS

Size	Thread Size (A)	B	C	D	ØE	F	G	ØH	ØI	ØJ	Maximum Working Pressure	Burst Pressure (Coupled)	Burst Pressure (Male)	Burst Pressure (Female)
		Dimensions in mm									Bar			
		Dimensions in Inches									Psi			
SHS 04	1/4"	19.0	19.0	58.0	M24X2	59.0	92.0	21.3	21.3	30.0	300	900	950	900
		0.7	0.7	2.3		2.3	3.6	0.8	0.8	1.2	4350	13050	13775	13050
SHS 08	3/8"	22.0	22.0	62.0	M28X2	64.5	100.0	24.0	24.0	34.0	300	900	900	900
		0.9	0.9	2.4		2.5	3.9	0.9	0.9	1.3	4350	13050	13050	13050
SHS 10	1/2"	30.0	30.0	63.0	M36X2	67.0	102.0	34.0	34.0	42.0	250	750	800	750
		1.2	1.2	2.5		2.6	4.0	1.3	1.3	1.7	3625	10875	11600	10875
SHS 12	3/4"	36.0	36.0	75.0	M42X2	82.0	136.0	41.0	41.0	48.0	250	750	800	750
		1.4	1.4	3.0		3.2	5.4	1.6	1.6	1.9	3625	10875	11600	10875
SHS 20	1"	41.0	41.0	78.5	M48X3	95.0	138.0	47.0	47.0	55.0	200	650	700	650
		1.6	1.6	3.1		3.7	5.4	1.9	1.9	2.2	2900	9425	10150	9425
SHS 25	1 1/4"	60.0	60.0	107.0	M70X3	116.0	187.0	68.0	68.0	70.0	150	450	480	450
		2.4	2.4	4.2		4.6	7.4	2.7	2.7	2.8	2175	6525	6960	6525
SHS 25	1 1/2"	60.0	60.0	107.0	M70X3	116.0	187.0	68.0	68.0	70.0	150	450	480	450
		2.4	2.4	4.2		4.6	7.4	2.7	2.7	2.8	2175	6525	6960	6525

PSI= Bar x14.5 Inches= mm/25.4

