

SP SERIES

High pressure screw connect couplers

INTRODUCTION

Holmbury's SP Series screw connect couplers are designed for heavy duty applications involving very high pressures and severe pressure pulses.

CONSTRUCTION

- Carbon steel with trivalent plating
- Fitted with Nitrile seals

FEATURES

- Screw connect design eliminates brinelling
- Can be connected with up to 50 bar residual pressure in the hydraulic circuit
- Bidirectional flow

ACCESSORIES

- Dust Caps and Plugs are available for the SP Series



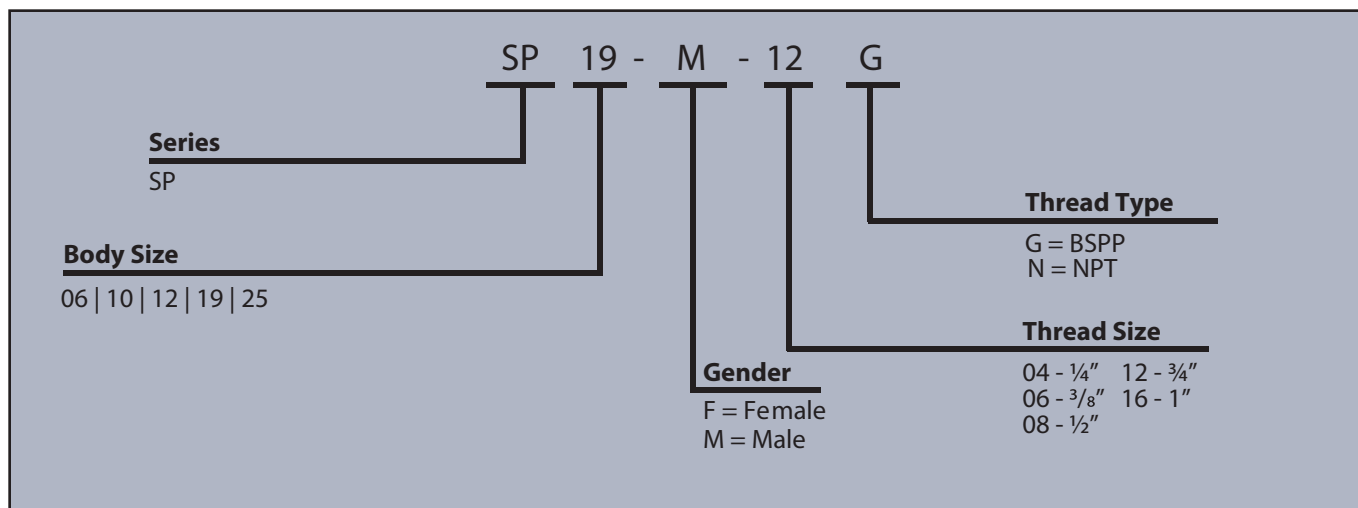
SPECIFICATIONS

- Operating temperatures (With Nitrile seals): -40°C (-40°F) to 106°C (223°F)

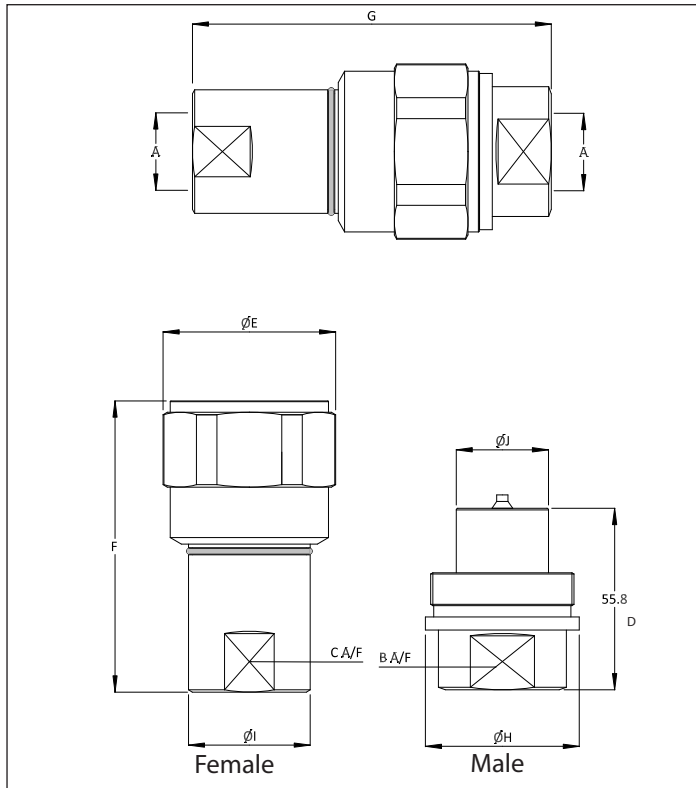
APPLICATIONS

- Hydraulic jacks
- Hydraulic hammers
- Construction plant, mobile equipment, demolition and agricultural industries

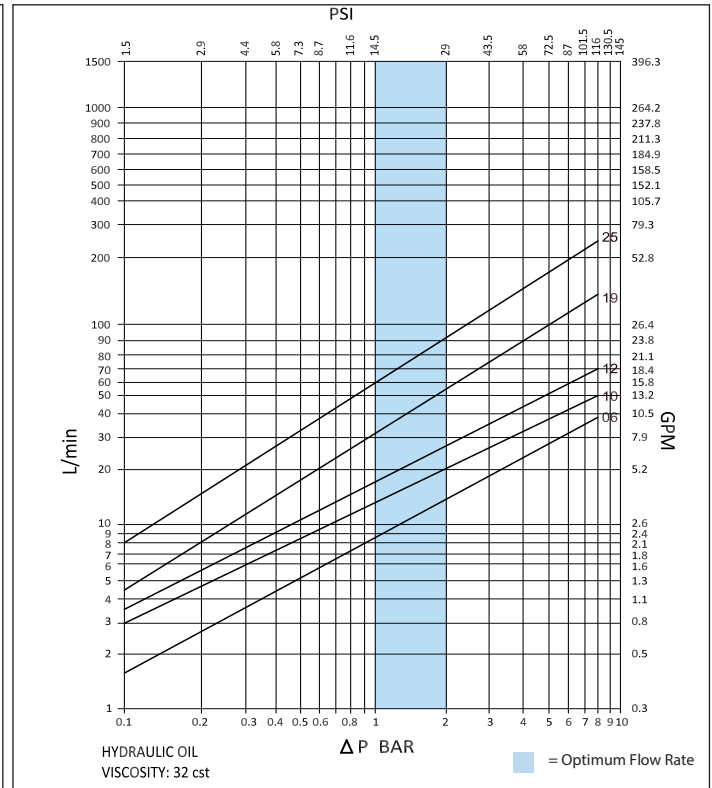
ORDER CODES



DRAWING



PRESSURE DROP CHARACTERISTICS



DIMENSIONS

Size	Thread Size (A)	B	C	D	ØE	F	G	ØH	ØI	ØJ	Maximum Working Pressure	Burst Pressure (Coupled)	Burst Pressure (Male)	Burst Pressure (Female)
		Dimensions in mm									Bar			
		Dimensions in Inches									Psi			
SP 06	1/4"	19.0	19.0	36.0	35.0	59.0	72.0	29.0	21.0	15.0	950	3800	3650	3500
		0.7	0.7	1.4	1.4	2.3	2.8	1.1	0.8	0.6	13775	55100	52925	50750
SP 10	3/8"	22.0	22.0	40.5	39.5	67.0	81.5	31.0	25.0	19.0	750	3000	3000	2900
		0.9	0.9	1.6	1.6	2.6	3.2	1.2	1.0	0.7	10875	43500	43500	42050
SP 12	1/2"	27.0	27.0	49.5	44.0	76.5	98.0	38.0	30.0	22.0	750	3000	2950	3000
		1.1	1.1	1.9	1.7	3.0	3.9	1.5	1.2	0.9	10875	43500	42775	43500
SP 19	3/4"	35.0	35.0	56.0	54.0	90.0	112.0	48.0	38.0	29.0	650	2600	2520	2500
		1.4	1.4	2.2	2.1	3.5	4.4	1.9	1.5	1.1	9425	37700	36540	36250
SP 25	1"	41.0	41.0	66.0	73.0	105.5	132.5	59.0	48.0	36.0	450	1800	1800	1650
		1.6	1.6	2.6	2.9	4.2	5.2	2.3	1.9	1.4	6525	26100	26100	23925

PSI= Bar x14.5 Inches= mm/25.4

